

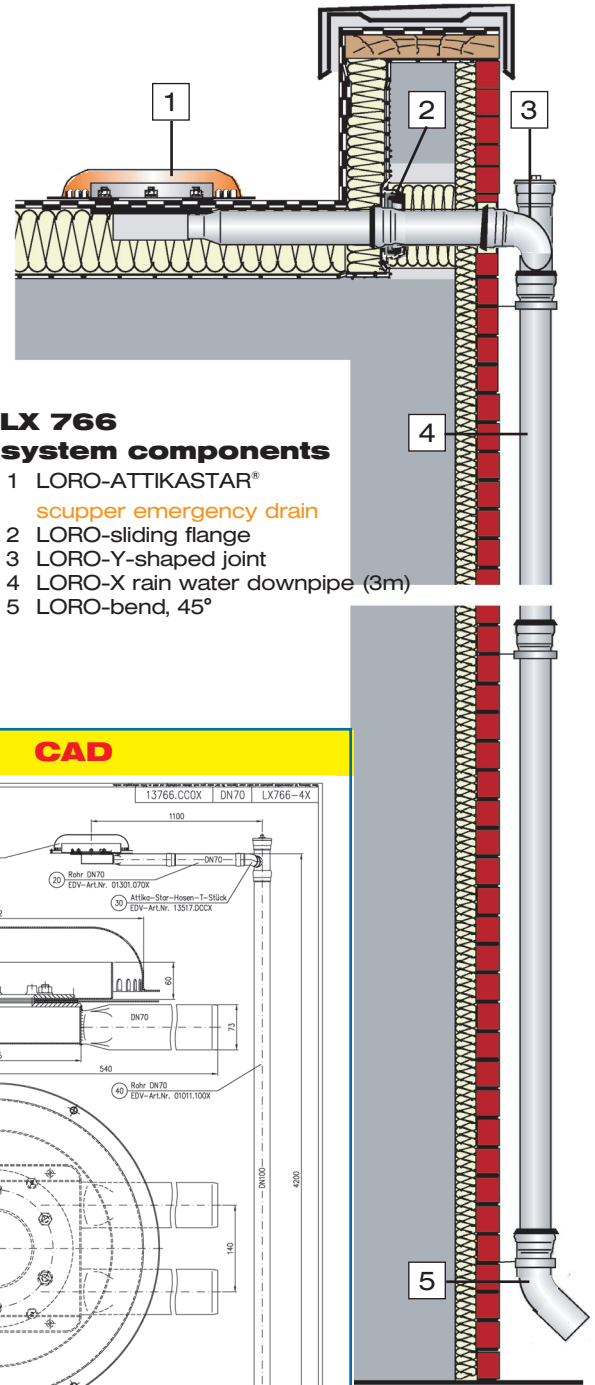
Data sheet LX 766

LORO-ATTIKASTAR® scupper emergency drain

discharge performance: 32 l/sec at DN 100

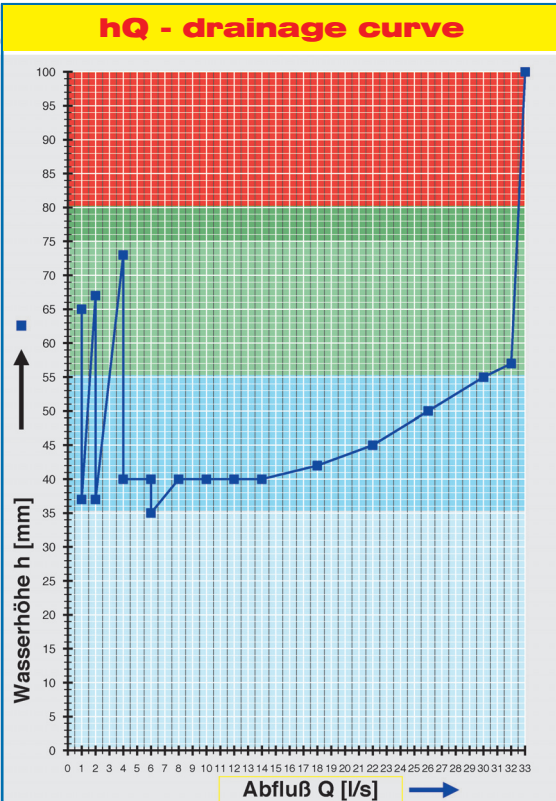
LORO-ATTIKASTAR® siphonic scupper drainage system, consisting of: ATTIKASTAR emergency scupper drain, pipes and fittings for 4.2 m high downpipes, sealing elements and pipe clamps.

emergency drainage	weir height 60 mm
siphonic drainage	height of water level 75 mm
silent power	
drainage performance 32,0 l/sec	DN 100

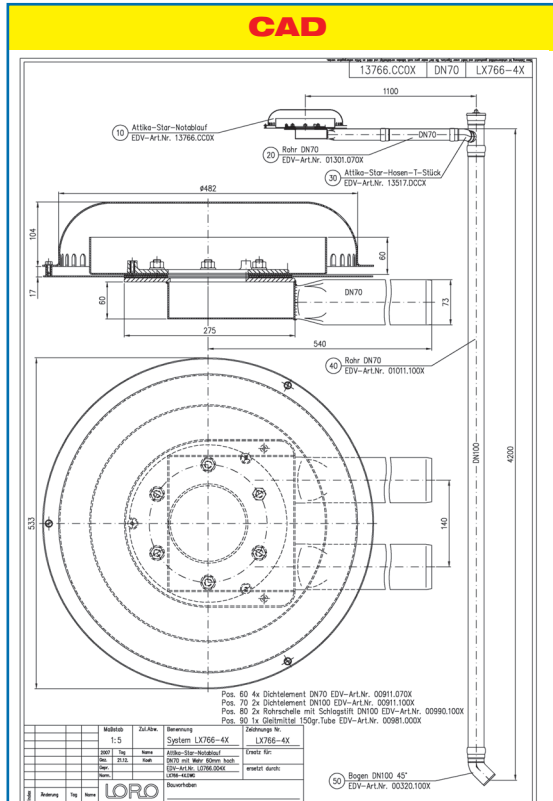


LX 766 system components

- 1 LORO-ATTIKASTAR® scupper emergency drain
- 2 LORO-sliding flange
- 3 LORO-Y-shaped joint
- 4 LORO-X rain water downpipe (3m)
- 5 LORO-bend, 45°



system capacity



system layout

height of water level	mm	5	10	15	20	25	30	35	40	45	50	55	60	65	70	75
drainage	l/sec								14	22	26	30	32	32	32	32
silent power																