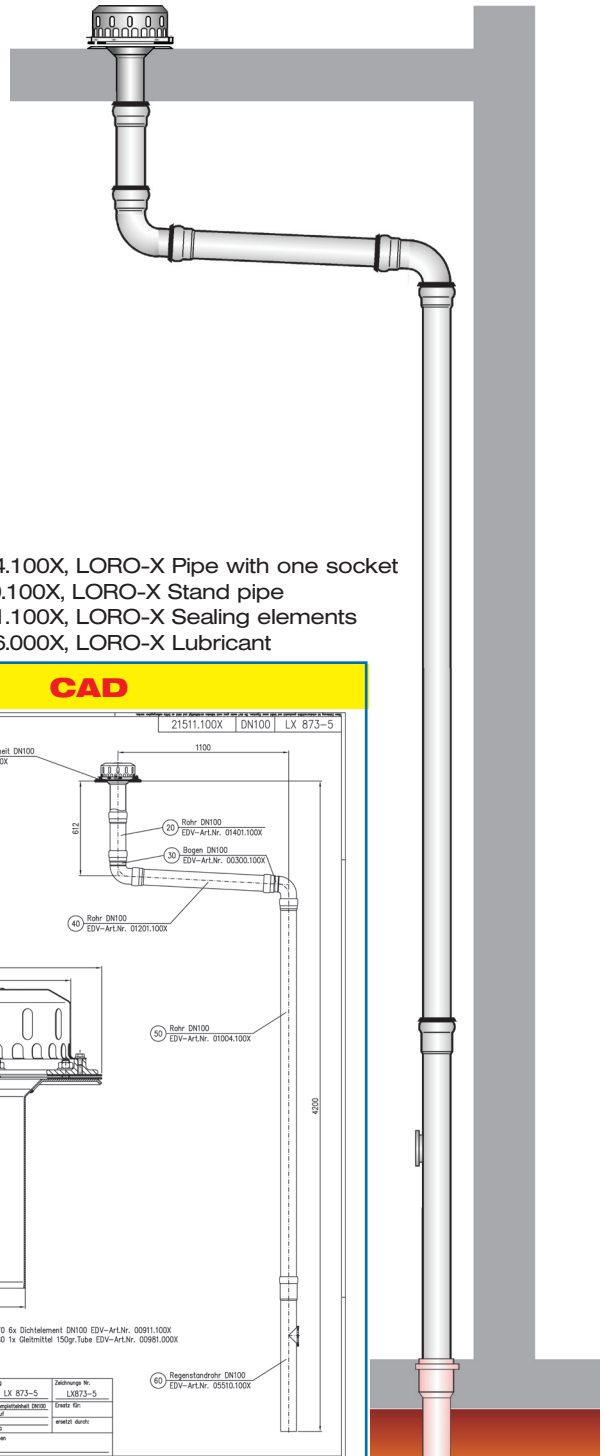
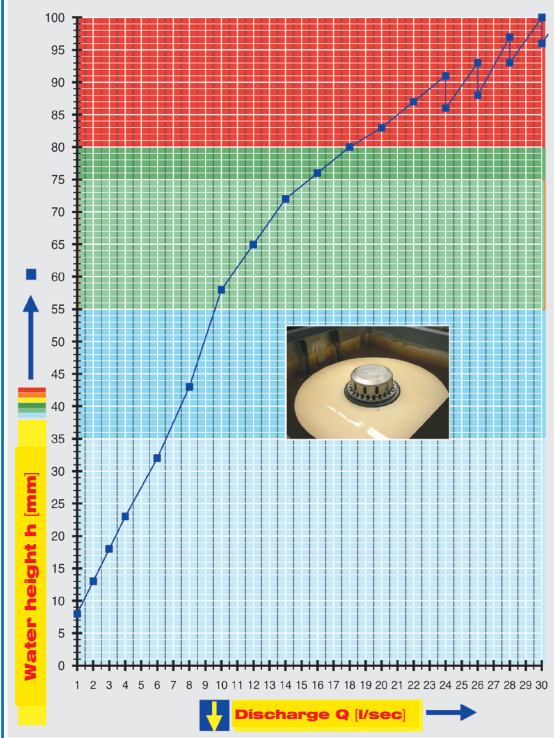
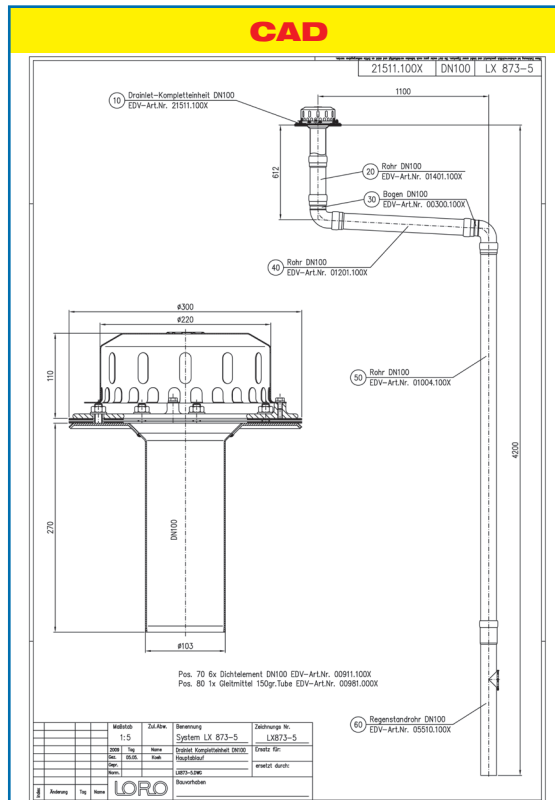


Specification sheet LX 873
Roof drainage systems
Series 84 DRAINLET®
Main drainage
Gravity flow
Silent Power

Discharge rate:	6,5 l/sec
Water height:	35 mm
Roof penetration:	-
Diameter:	DN 100
LX-Number:	LX 873
Weir height:	0 mm
Drain:	ventilated
Downpipe:	not ventilated
Downpipe height:	4,2 m
Drainage:	in sewer


LX 873 Piece list

- 1 x Art.-No. choose drain on page two!
- 1 x Art.-No. 01401.100X, LORO-X Pipe with one socket
- 2 x Art.-No. 00300.100X, LORO-X Bend
- 1 x Art.-No. 01004.100X, LORO-X Pipe with one socket
- 1 x Art.-No. 01004.100X, LORO-X Pipe with one socket
- 1 x Art.-No. 05510.100X, LORO-X Stand pipe
- 6 x Art.-No. 00911.100X, LORO-X Sealing elements
- 1 x Art.-No. 00986.000X, LORO-X Lubricant

hQ - Head Discharge curve

Systempower
CAD

Systemshape

Water height	mm	5	10	15	20	25	30	35	40	45	50	55	60	65	70	75
Discharge	l/sec		0,5	2,4	3,4	4,4	5,5	6,5	7,5	8,3	8,8	9,5	10,5	12	13,4	15,5
Silent Power																

Choose drain for piece list on page one!

DN 100

without insulation

LX873-5X

Drain Art.-No. 21511.100X

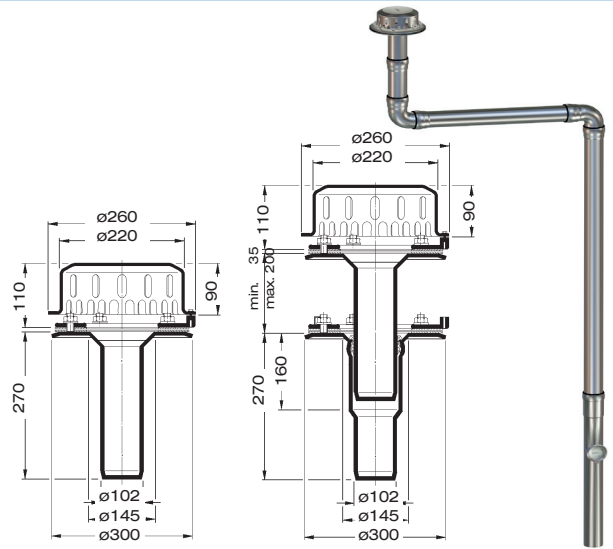
with clamping flange one-piece
for bituminous and plastic roofing sheets



LX873-6X

Drain Art.-No. 21521.100X

with clamping flange two-piece
for bituminous and plastic roofing sheets



with insulation

LX873-7X

Drain Art.-No. 21512.100X

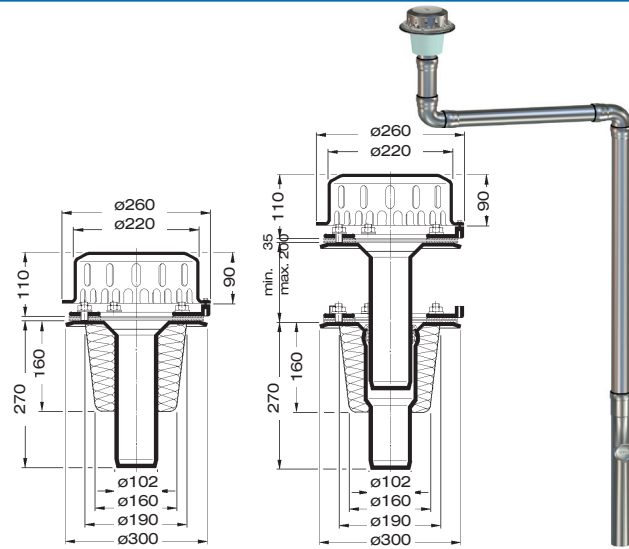
with clamping flange one-piece
for bituminous and plastic roofing sheets



LX873-8X

Drain Art.-No. 21522.100X

with clamping flange two-piece
for bituminous and plastic roofing sheets



with insulation and heating

LX873-9X

Drain Art.-No. 21513.100X

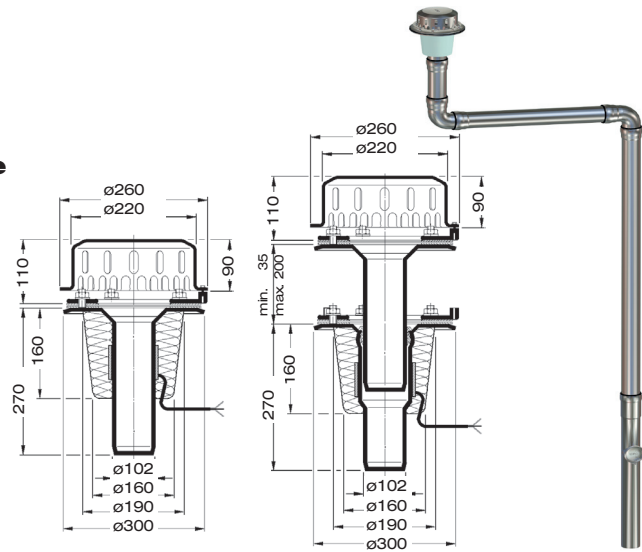
with clamping flange one-piece
for bituminous and plastic roofing sheets



LX873-10X

Drain Art.-No. 21523.100X

with clamping flange two-piece
for bituminous and plastic roofing sheets



Heat tracing: Lorowerk recommends to check all drains and pipes with regard to their frost-sensibility. Where necessary, these parts should be upgraded with heat tracing.