

## Specification sheet LX 1904

# LORO-X DUOSTREAM High performance cascade drainage roof and roof terrace

**Main drainage**

**Gravity flow**

**Silent**

<b>Discharge rate:</b>	<b>up to max. 8.0 l/sec</b>
<b>Water height:</b>	<b>35 mm</b>
<b>Roof penetration:</b>	<b>-</b>
<b>Diameter:</b>	<b>DN 100</b>
<b>LX-Number:</b>	<b>LX 1904</b>
<b>Weir height:</b>	<b>0 mm</b>
<b>Drain:</b>	<b>ventilated</b>
<b>Downpipe:</b>	<b>ventilated</b>
<b>Downpipe height:</b>	<b>min. 2.5 m</b>
<b>Drainage:</b>	<b>into ground pipe</b>
<b>Flange:</b>	<b>clamping flange</b>



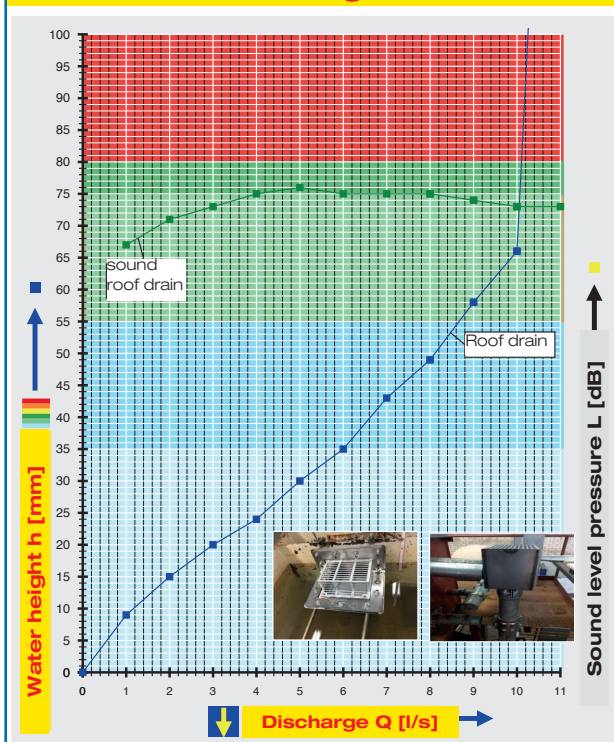
Please take note of the whole "STREAM" including all levels while designing the system

### LX 1904 Piece list

1 x Art.-No. 13543.100X High performance roof  
1 x Art.-No. 01401.100X Pipe with one socket  
1 x Art.-No. 01401.050X Pipe with one socket  
1 x Art.-No. 13426.D0DX Collector box roof  
1 x Art.-No. 13221.DBBX Deflection

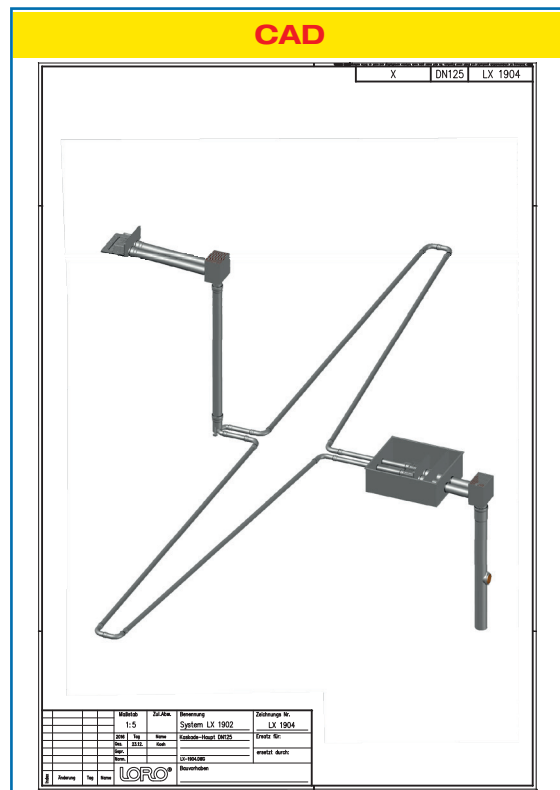
1 x Art.-No. 13541.100X High performance roof terrace  
1 x Art.-No. 13428.DBDX Collector box terrace  
1 x Art.-No. 55154.100X Stand pipe high performance safety overflow  
4 x Art.-No. 00911.050X Sealing elements  
2 x Art.-No. 00911.100X Sealing elements  
1 x Art.-No. 00986.000X Lubricant

### hQ - Discharge curve



### System power

### CAD



### System shape

Water height	mm	10	15	20	25	30	35	40	45	50	55	60	65	70	75	80	85	90	95	100
Discharge	l/sec	1,2	2,0	3,0	4,2	5,0	6,0	6,6	7,4	8,1	8,7	9,2	9,9	-	-	-	-	-	-	-

## LORO-X DUOSTREAM High performance cascade drainage for roof and roof terrace

### LX1904-1X

#### Series 43 DUOSTREAM High performance - roof - Main drainage

Drain: Art.-No. 13543.100X  
Weight: 12.30 kg



#### Series 43 DUOSTREAM High performance - roof terrace - Main drainage

Drainage of roof terrace (DN 100)  
Feed-through of the upper floors (DN 50)  
Drain: Art.-No. 13541.100X  
Weight: 13.90 kg



Collector box - roof -

Art.-No. 13426.DODX  
Weight: 5.3kg



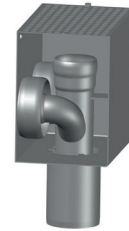
Deflection for roof terrace  
from pipe-in-pipe downpipe (DN100/50)  
into double pipe (DN 50/50)  
under the paving slab

Art.-No. 13221.DBBX  
Weight: 2.0 kg



Collector box - roof terrace -  
with reducing double branch

Art.-No. 13428.DBDX  
Weight: 6.7 kg



High performance safety overflow  
with rain standpipe  
Art.-No. 55154.100X  
Weight: 6.6 kg



LORO-X pipe with one socket,  
made of galvanized steel  
250 mm long  
Art.-No. 01401.050X  
Art.-No. 01401.100X



#### LORO-Sealing elements

Art.-No. 00911.050X  
Art.-No. 00911.100X