

Drains with Thermal Insulation Block



01370.050X with clamping flange
01370.070X for bituminous
01370.100X sealing sheets



01372.050X with clamping flange
01372.070X for plastic
01372.100X sealing sheets



01371.050X with clamping flange
01371.070X for bituminous
01370.100X sealing sheets



01373.050X with clamping flange
01373.070X for plastic
01373.100X sealing sheets



01380.050X with clamping flange
01380.070X for bituminous
01380.100X sealing sheets



01382.050X with clamping flange
01382.070X for plastic
01382.100X sealing sheets



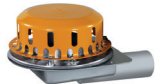
01381.050X with clamping flange
01381.070X for bituminous
01380.100X sealing sheets



01383.050X with clamping flange
01383.070X for plastic
01383.100X sealing sheets



01390.050X for bituminous
01390.070X and plastic
01390.100X sealing sheets



01391.050X for bituminous
01391.070X and plastic
01391.100X sealing sheets



01392.050X for bituminous
01392.070X and plastic
01392.100X sealing sheets





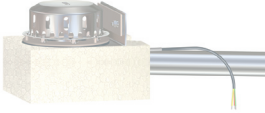
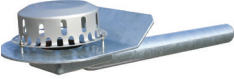








01393.050X for bituminous
01393.070X and plastic
01393.100X sealing sheets

01384.000X
made of styrofoam
SE WLG 0.35
building material
class B2

13845.000X
made of foam glass
incombustible
building material
class A1



Drains with Thermal Insulation Block

	01394.100X	with clamping flange for bituminous and plastic sealing sheets	01384.000X made of styrofoam SE WLG 0.35 building material class B2	13845.000X made of foam glass incombustible building material class A1
	13506.100X	for bituminous and plastic sealing sheets	01385.000X made of styrofoam SE WLG 0.35 building material class B2	13855.000X made of foam glass incombustible building material class A1
	13846.000X	LORO thermal insulation block with heating, installed only in combination with separately ordered LORO-RAINSTAR® parapet drains DN 70 and DN 100		
	01374.070X 01374.100X	with bonding flange for bituminous sealing sheets	adjustment on site required!	
	01360.070X 01360.100X	with clamping flange for bituminous sealing sheets	01384.000X made of styrofoam SE WLG 0.35 building material class B2	13845.000X made of foam glass incombustible building material class A1
	01362.070X 01362.100X	with clamping flange for plastic sealing sheets		
	01361.070X 01361.100X	with clamping flange for bituminous sealing sheets	01384.000X made of styrofoam SE WLG 0.35 building material class B2	13845.000X made of foam glass incombustible building material class A1
	01363.070X 01363.100X	with clamping flange for plastic sealing sheets		
	01364.070X 01364.100X	with clamping flange for bituminous sealing sheets	01384.000X made of styrofoam SE WLG 0.35 building material class B2	13845.000X made of foam glass incombustible building material class A1
	01366.070X 01366.100X	with clamping flange for plastic sealing sheets		
	01365.070X 01365.100X	with clamping flange for bituminous sealing sheets	01384.000X made of styrofoam SE WLG 0.35 building material class B2	13845.000X made of foam glass incombustible building material class A1
	01367.070X 01367.100X	with clamping flange for plastic sealing sheets		

Drains with Thermal Insulation Block
 applicable for **Series 43, Parapet-Direct**

	01330.070X 01330.100X	with bonding flange for bituminous sealing sheets	Single pipe drain	<p>01317.000X made of styrofoam SE WLG 0.35 building material class B2</p>
	01320.100X	with bonding flange for bituminous sealing sheets	Double pipe drain	
	01334.100X 01336.100X	with bonding flange for bituminous sealing sheets	Single pipe drain	
	13457.100X	with clamping flange 90 degree for plastic sealing sheets	Double pipe drain	
	13458.100X	with clamping flange 90 degree for plastic sealing sheets	Double pipe drain	
	01327.070X 01328.070X	with clamping flange for plastic sealing sheets	Double pipe drain	
	13541.100X	with clamping flange for plastic sealing sheets	Double pipe drain	
	13543.100X	with clamping flange for plastic sealing sheets	Double pipe drain	
	13544.100X	with bonding flange for bituminous sealing sheets	Double pipe drain	
	13207.070X	with bonding flange for bituminous sealing sheets	Double pipe drain	

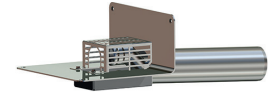
Drains with Thermal Insulation Block
 applicable for **Series 43, Parapet-Direct**



13461.100X

with bonding flange
45 degree
for bituminous
sealing sheets

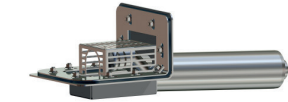
Single pipe drain



13462.100X

with bonding flange
90 degree
for liquid plastic

Single pipe drain



13464.100X

with clamping flange
90 degree

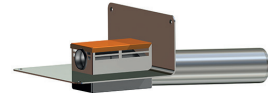
Single pipe drain



13471.100X

with bonding flange
45 degree
for bituminous
sealing sheets

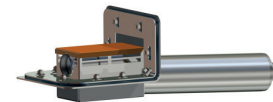
Single pipe drain



13472.100X

with bonding flange
90 degree
for liquid plastic

Single pipe drain

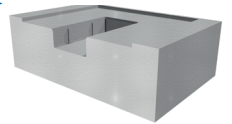


13474.100X

with clamping flange
90 degree

Single pipe drain

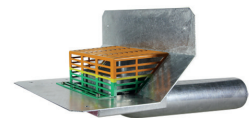
01318.000X
made of styrofoam
SE WLG 0.35
building material
class B2



01350.100X

with bonding flange
for bituminous
sealing sheets

Single pipe drain

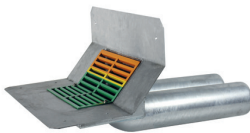
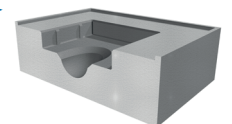


13508.100X

with bonding flange
for bituminous
sealing sheets

Single pipe drain

01319.000X
made of styrofoam
SE WLG 0.35
building material
class B2



13207.100X

with bonding flange
for bituminous
sealing sheets

Double pipe drain



01324.100X

with bonding flange
for bituminous
sealing sheets

Double pipe drain

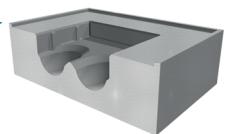


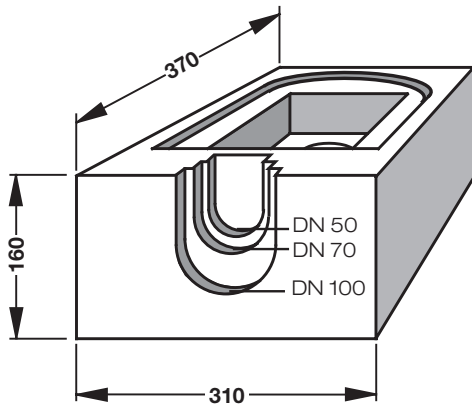
01323.100X

with bonding flange
for bituminous
sealing sheets

Double pipe drain

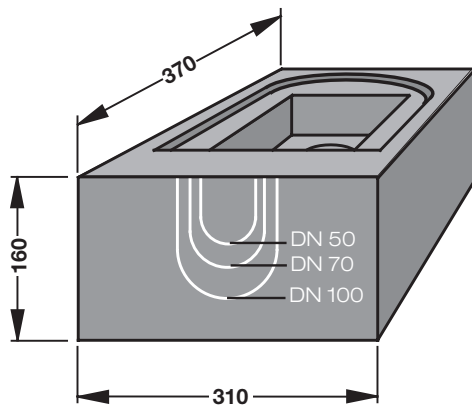
01321.000X
made of styrofoam
SE WLG 0.35
building material
class B2





**LORO Thermal insulation block,
made of styrofoam SE WLG 0.35**

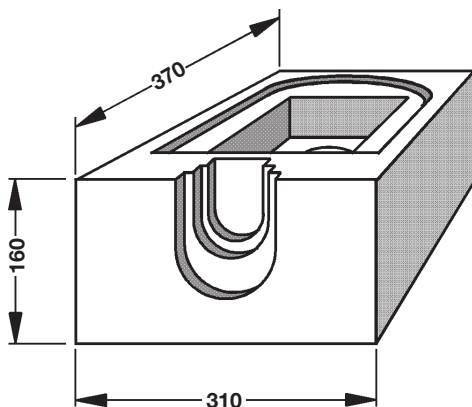
Building material class B2
[Art.-No. 01384.000X](#)



**LORO Thermal insulation block,
made of foam glass, incombustible**

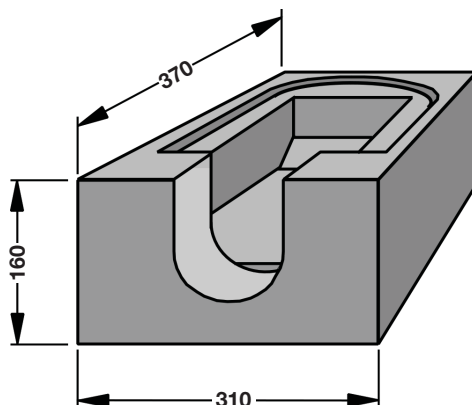
Building material class A1
[Art.-No. 13845.000X](#)

Create the recess for the respective nominal diameter on site.



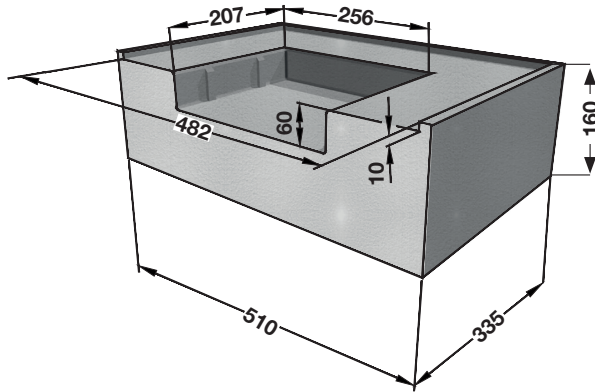
**LORO Thermal insulation block,
made of styrofoam SE WLG 0.35**

Building material class B2
 for LORO-X main-emergency-combination
 parapet drain DN 100
[Art.-No. 01385.000X](#)



**LORO Thermal insulation block,
made of foam glass, incombustible**

Building material class A1
 for LORO-X main-emergency-combination
 parapet drain DN 100
[Art.-No. 13855.000X](#)

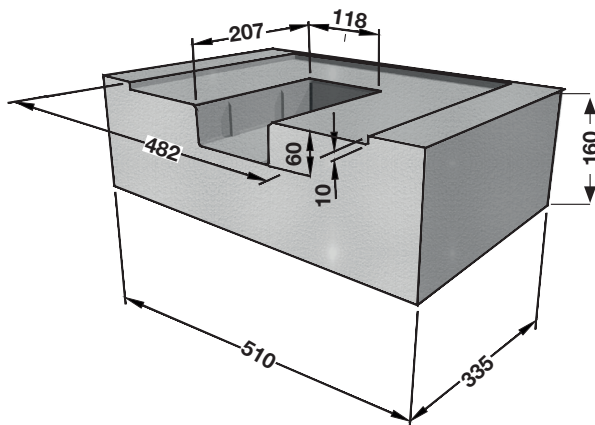


Drains with thermal insulation block
applicable for **Series 43, parapet-direct**

**LORO Thermal insulation block
made of styrofoam SE WLG 0.35**

Building material class B2
[Art.-No. 01317.000X](#)

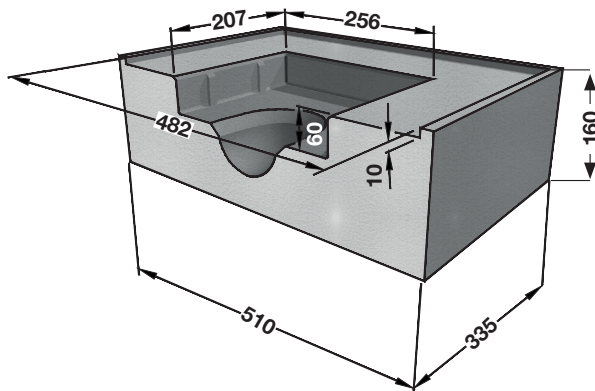
Applicable for the following parapet direct drains, Series 43:
01320.100X, 01327.070X, 01328.070X, 01330.070X,
01330.100X, 01334.100X, 01336.100X, 13541.100X,
13543.100X, 13544.100X, 13457.100X, 13458.100X,
13207.070X



**LORO Thermal insulation block
made of styrofoam SE WLG 0.35**

Building material class B2
[Art.-No. 01318.000X](#)

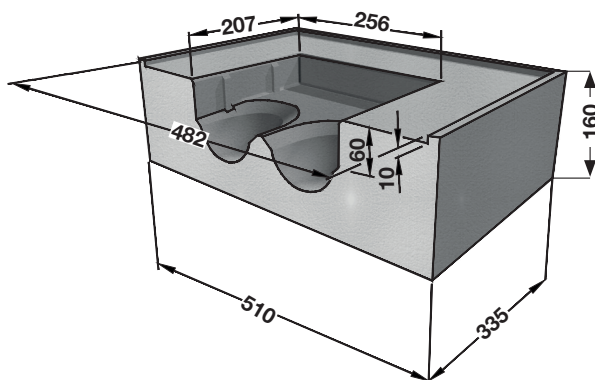
Applicable for the following parapet direct drains, Series 43:
13461.100X, 13462.100X, 13464.100X, 13471.100X,
13472.100X, 13474.100X



**LORO Thermal insulation block
made of styrofoam SE WLG 0.35**

Building material class B2
[Art.-No. 01319.000X](#)

Applicable for the following parapet direct drains, Series 43:
01350.100X, 13508.100X



**LORO Thermal insulation block
made of styrofoam SE WLG 0.35**

Building material class B2
[Art.-No. 01321.000X](#)

Applicable for the following parapet direct drains, Series 43:
01323.100X, 01324.100X, 13207.100X



