

LORO-DRAINLET®

Flat roof renovation drains with bonding or clamping flange,

break-proof and UV-resistant, with lip sealing element

For inserting into already installed roof drains

In the case of renovation works on the flat roof, exchanging the existing roof drains for new ones causes a considerable hassle due to their integration in the roof structure.

LORO's solution:

LORO-DRAINLET®
Flat roof renovation drains, with clamping flange
 DN 80, DN 100 and DN 125, made of stainless steel, with lip sealing at the outlet

When using the LORO-DRAINLET® flat roof renovation drain, the time-consuming installation of a new roof drain into the already existing roof structure is no longer required.

LORO's solution:

LORO-DRAINLET®
Flat roof renovation drains, with bonding flange
 DN 80, made of galvanized steel, with lip sealing at the outlet

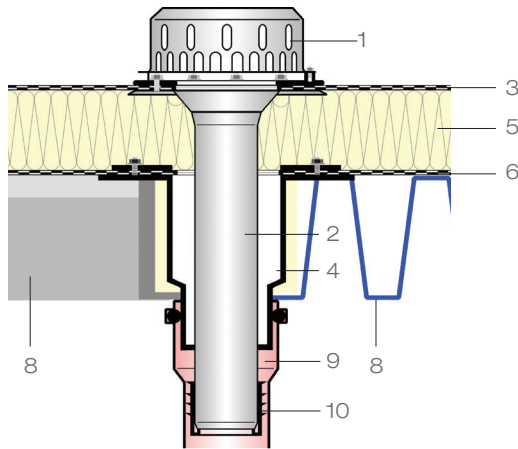


Simply insert the LORO-DRAINLET® flat roof renovation drain into the already installed roof drain until it reaches the discharge pipe.

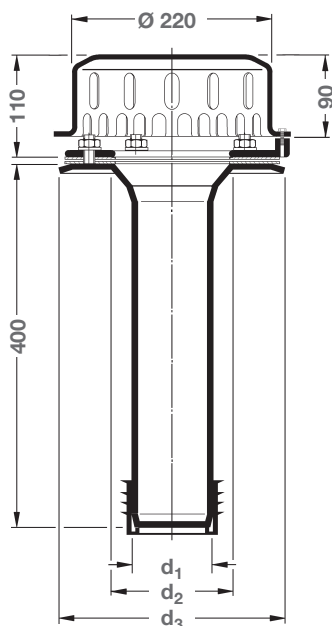
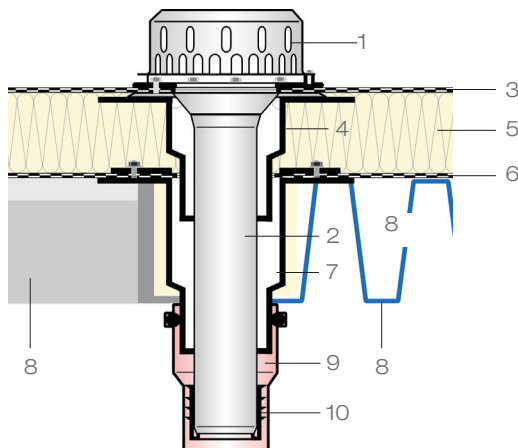
The external lip sealing element of the drain establishes a backflow-proof connection with the discharge pipe.

... optimal drainage with maximum safety!

Application situation:
removal of the old upper drain part.



Application situation:
usage of the old upper drain part.



Application Examples

LORO-DRAINLET® Flat roof renovation drain

with clamping flange for bituminous and plastic roof sealing sheets

- 1 LORO-DRAINLET® stainer basket
- 2 LORO-DRAINLET® renovation drain
- 3 Roof sealing sheet
- 4 Upper drain part (existing)
- 5 Thermal insulation
- 6 Vapour barrier
- 7 Lower drain part (existing)
- 8 Concrete or trapezoidal sheet roof
- 9 Discharge pipe
- 10 Lip sealing element

Dimensions and Weights

LORO-DRAINLET® Flat roof renovation drains,

DN 80 - DN 125,
with clamping flange for bituminous and plastic
roof sealing sheets,
with transition sealing element,
made of stainless steel, according to DIN EN 1253

Discharge rate: DN 80 = 5.6 l/s*
 DN 100 = 6.5 l/s*
 DN 125 = 9.8 l/s*

Complete units, one-piece

without thermal insulation, consisting of:
drain body
transition sealing element
compression seal**
loose flange
drainlet stainer basket

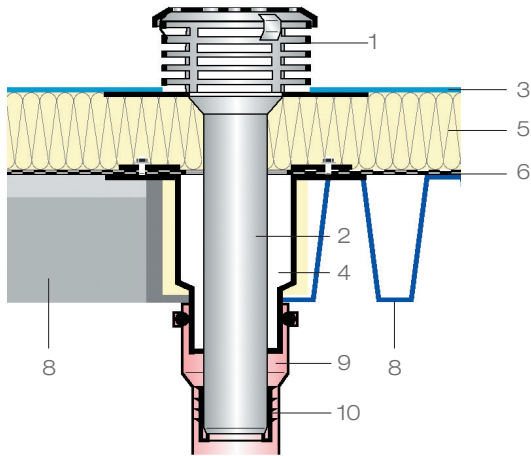
Art.-No.	DN	d ₁	d ₂	d ₃	R _i for pipes with inside diameter	kg
21518.080X	80	89	145	300	98 -106	3.6
21518.100X	100	110	145	300	118*** - 130	4.3
21518.125X	125	128	175	330	145-155	5.2

* Discharge capacity in keeping with test specification according to DIN EN 1253

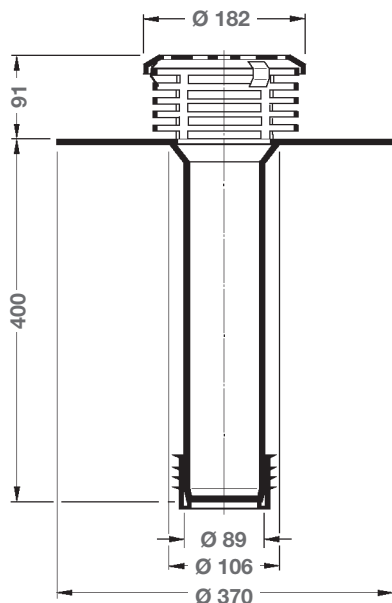
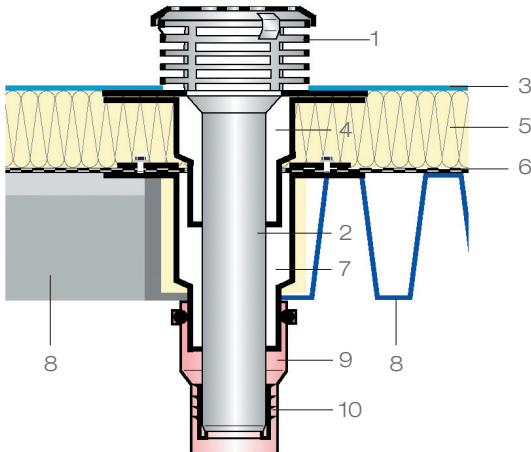
** Can be omitted when using bituminous sealing sheets.

*** Cut off the two upper sealing lips on site

Application situation:
removal of the old upper drain part.



Application situation:
usage of the old upper drain part.



Application Examples

LORO-DRAINLET® Flat roof renovation drain

with bonding flange for bituminous and plastic roof sealing sheets

- 1 LORO-DRAINLET® strainer basket with strainer cover
- 2 LORO-DRAINLET® renovation drain
- 3 Liquid plastic
- 4 Upper drain part (existing)
- 5 Thermal insulation
- 6 Vapour barrier
- 7 Lower drain part (existing)
- 8 Concrete or trapezoidal sheet roof
- 9 Discharge pipe
- 10 Lip sealing element

Dimensions and Weights

LORO-DRAINLET® Flat roof renovation drains,

DN 80, with bonding flange for renovation with liquid plastic, with transition element, made of galvanized steel, according to DIN EN 1253

Discharge rate: DN 80 = 5.6 l/s*

Complete units, one-piece

without thermal insulation,
DN 80: Art.-No. 15518.080X

consisting of:
drain body
strainer basket
strainer cover
transition sealing element

Peter J. Kuck

Kupferbergstraße 9
 67292 Kirchheimbolanden
 Export Director
 Tel. +49(0)160.712 5571
 e-mail: peter.kuck@lorowerk.de



LOROWERK K.H. Vahlbrauk GmbH & Co. KG

Kriegerweg 1 • 37581 Bad Gandersheim, Postfach 13 80 • 37577 Bad Gandersheim
 Tel. +49 5382 710 • Telefax +49 5382 71 203 • Internet: www.loro-x.de • e-mail: infocenter@lorowerk.de