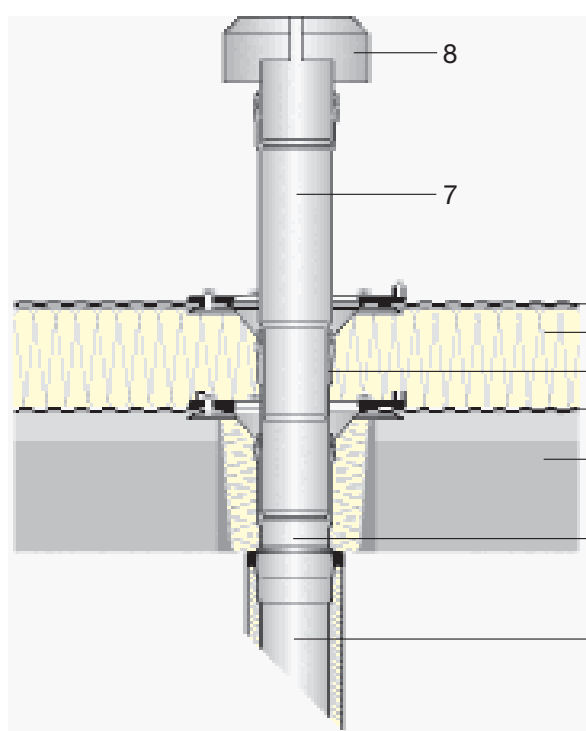


## LORO-DRAINLET® Pipe penetrations, made of stainless steel DN 70 - DN 125

LORO-DRAINLET® pipe penetrations, developed from the reliable LORO-DRAINLET® flat roof drainage systems, are made of stainless steel material 1.4301. Due to the usage of stainless steel, LORO-DRAINLET® pipe penetrations are corrosion-resistant and break-proof. Moreover, material problems caused by heat, cold or UV-radiation do not occur.

Due to the usage of clamping flanges according to DIN EN 1253, LORO-DRAINLET® pipe penetrations are suitable for roof sealings made of bitumen or plastic (with compression seals) for roof sealing sheets of all manufacturers. LORO-DRAINLET® pipe penetrations can be installed in thermally insulated and thermally non-insulated roofs. Special LORO-X connectors enable a combination of LORO-DRAINLET® pipe penetrations with other types of pipes.



### Application example:

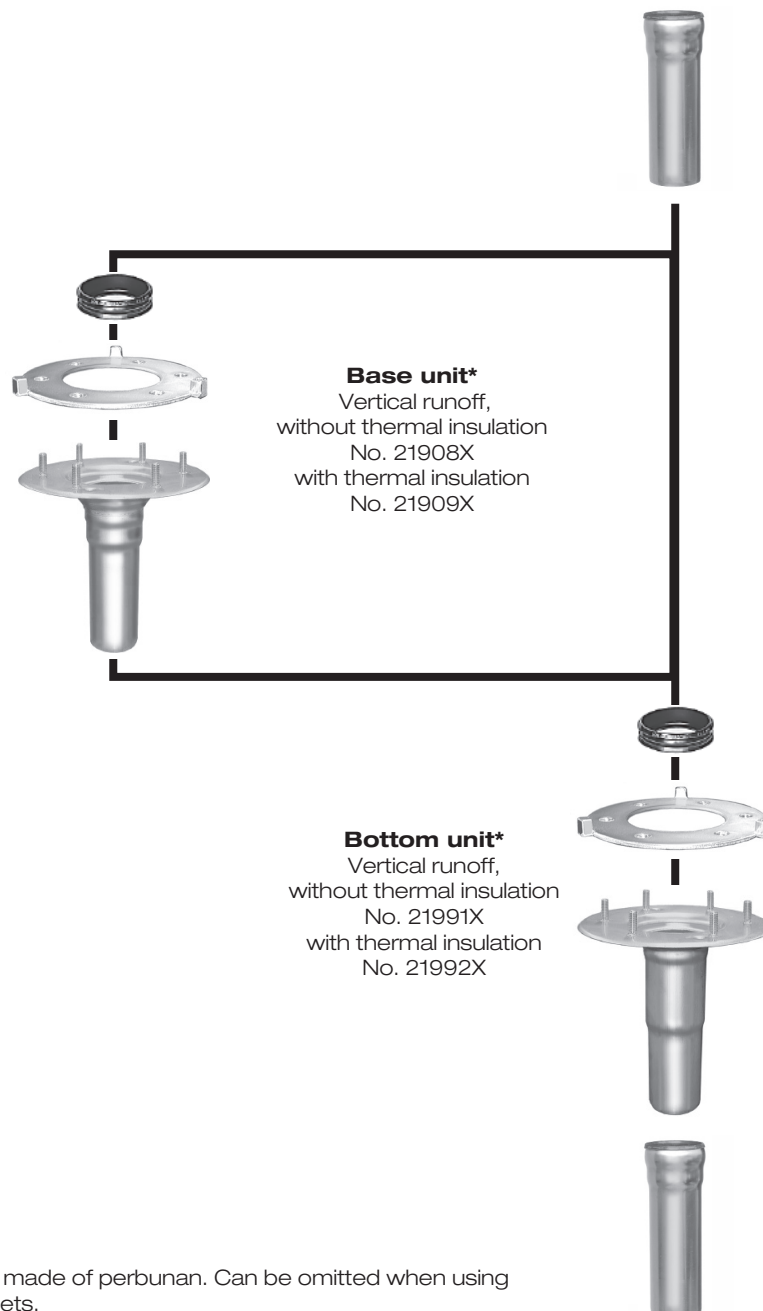
#### LORO-DRAINLET® Pipe penetration with clamping flange, for flat roofs, thermally insulated

- 1 Roof drainage sheets
- 2 Thermal insulation
- 3 LORO-DRAINLET®  
Pipe penetration base unit
- 4 LORO-DRAINLET®  
Pipe penetration bottom unit
- 5 Vapour barrier
- 6 Flat roof, thermally insulated
- 7 LORO ventilation pipe
- 8 LORO-XC rain cover
- 9 LORO composite pipe

### Setup diagramm

#### LORO-DRAINLET<sup>®</sup> Pipe penetrations with clamping flange,

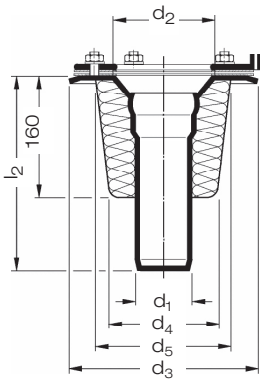
made of stainless steel - DN 70, DN 100 and DN 125



\* Including compression seal made of perbunan. Can be omitted when using bituminous roof sealing sheets.

**Part Units**
**LORO-DRAINLET® Pipe penetration base unit**

made of stainless steel 1.4301



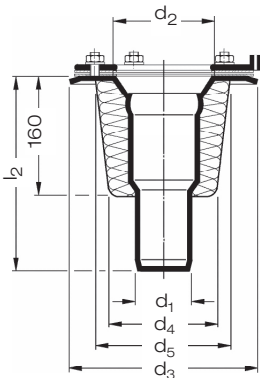
Art.-No.	DN	Version	d <sub>1</sub>	d <sub>2</sub>	d <sub>3</sub>	d <sub>4</sub>	d <sub>5</sub>	l <sub>2</sub>	kg
<a href="#">21908.070X</a>	70	a	73	125	245	-	-	260	2.8
<a href="#">21909.070X</a>	70	b	73	125	245	130	150	260	2.9
<a href="#">21908.100X</a>	100	a	101.6	158	300	-	-	270	3.1
<a href="#">21909.100X</a>	100	b	101.6	158	300	160	190	270	3.2
<a href="#">21908.125X</a>	125	a	133	188	330	-	-	280	3.4
<a href="#">21909.125X</a>	125	b	133	188	330	190	220	280	3.5

with sealing element No. 911X as equipment

version a: without thermal insulation, version b: with thermal insulation

**LORO-DRAINLET® Pipe penetration bottom unit**

made of stainless steel 1.4301



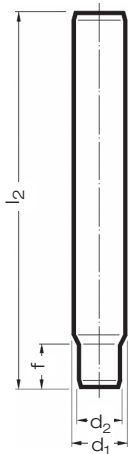
Art.-No.	DN	Version	d <sub>1</sub>	d <sub>2</sub>	d <sub>3</sub>	d <sub>4</sub>	d <sub>5</sub>	l <sub>2</sub>	kg
<a href="#">21991.070X</a>	70	a	73	125	245	-	-	260	2.8
<a href="#">21992.070X</a>	70	b	73	125	245	130	150	260	2.9
<a href="#">21991.100X</a>	100	a	101.6	158	300	-	-	270	3.1
<a href="#">21992.100X</a>	100	b	101.6	158	300	160	190	270	3.2
<a href="#">21991.125X</a>	125	a	133	188	330	-	-	280	3.4
<a href="#">21992.125X</a>	125	b	133	188	330	190	220	280	3.5

with sealing element No. 911X as accessoire

version a: without thermal insulation, version b: with thermal insulation

**Individual components/accessoires**
**LORO Ventilation pipe\***

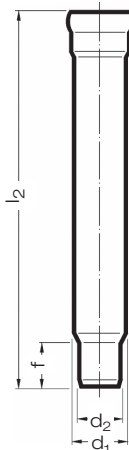
made of stainless steel 1.4301



Art.-No.	DN	d <sub>1</sub>	d <sub>2</sub>	l <sub>2</sub>	f	kg
<a href="#">21202.070X</a>	70	73	69	530	55	1.5
<a href="#">21202.100X</a>	100	103	96	530	95	3.2
<a href="#">21202.125X</a>	125	133	125	530	85	4.5

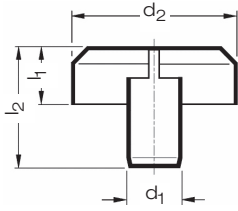
**LORO Ventilation pipe with socket\***

made of stainless steel 1.4301



Art.-No.	DN	d <sub>1</sub>	d <sub>2</sub>	l <sub>2</sub>	f	kg
<a href="#">21207.070X</a>	70	73	69	630	55	1.5
<a href="#">21207.100X</a>	100	103	96	660	95	3.2
<a href="#">21207.125X</a>	125	133	125	660	85	4.5

\* also available as thermally insulated composite pipe


**LORO-XC Rain covers**

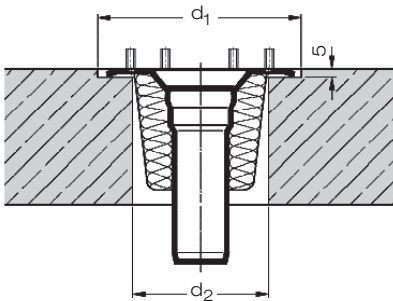
made of stainless steel 1.4301

Insert in ventilation pipe, No. 21207X, with sealing element, No. 911X.

Art.-No.	DN	d <sub>1</sub>	d <sub>2</sub>	l <sub>1</sub>	l <sub>2</sub>	kg
<a href="#">21203.070X</a>	70	73	220	60	160	1.2
<a href="#">21203.100X</a>	100	101.6	220	60	160	2.0
<a href="#">21203.125X</a>	125	133	220	60	160	3.0


**Sealing elements**

Art.-No.	DN	kg
<a href="#">00911.070X</a>	70	0.022
<a href="#">00911.100X</a>	100	0.050
<a href="#">00911.125X</a>	125	0.100

**Recess Dimensions**
**LORO-DRAINLET® Pipe penetrations with clamping flange**

**Tapping hole one-stage**

for LORO-DRAINLET® drain body and LORO-DRAINLET® bottom part

DN	d <sub>1</sub>	d <sub>2</sub>
70	260	122/158*
100	320	142/200*
125	350	172/230*

\* Tapping hole for LORO-DRAINLET® bottom part with thermal insulation (two-piece version).

For backfilling build a lower formwork panel and fasten it. Briefly lift the drain and backfill. Put the drain back into position.

**Suggestion for Tender Text**
**LORO-DRAINLET® Pipe penetration**

one-piece, consisting of:

drain body, compression seal\*, loose flange, sealing element

two-piece, consisting of:

drain body, compression seal\*, loose flange, sealing element, bottom part, compression seal\*, loose flange, sealing element

\* Can be omitted when using bituminous roofing sheets.

**Accessoires:** LORO ventilation pipes with socket, LORO ventilation pipes, LORO rain covers

**LOROWERK K.H.Vahlbrauk GmbH & Co.KG**

Kriegerweg 1, 37581 Bad Gandersheim, Tel.:+49(0)53 82.710, Fax: +49(0)53 82.712 03

 Internet: [www.loro-x.de](http://www.loro-x.de), e-mail: [infocenter@lorowerk.de](mailto:infocenter@lorowerk.de)