



www.loro-x.com

LORO®

LORO aktuell 79

# LORO-RAINSTAR®

## Parapet Drainage

### DN 50 - DN 100,

Roof drains for roofs with upward roof edge lip,

- **Series 79 (RA and RB):** for gravity flow
- **Series 79 (RC and RD):** for siphonic flow

made of stainless steel, according to DIN EN 1253, with clamping flange, for bituminous and plastic roofing sheets or with bonding flange (only series RA)

LORO-RAINSTAR® Parapet drain, series 79 (RA), with open hood, DN 50 - DN 100



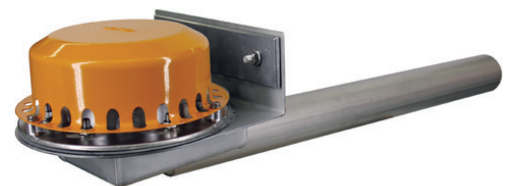
LORO-RAINSTAR® Parapet emergency drain, series 79 (RB), with open hood, DN 50 - DN 100



LORO-RAINSTAR® Parapet drain, series 79 (RC), with closed hood, DN 50 - DN 100



LORO-RAINSTAR® Parapet emergency drain, series 79 (RD), with closed hood, DN 40 - DN 100



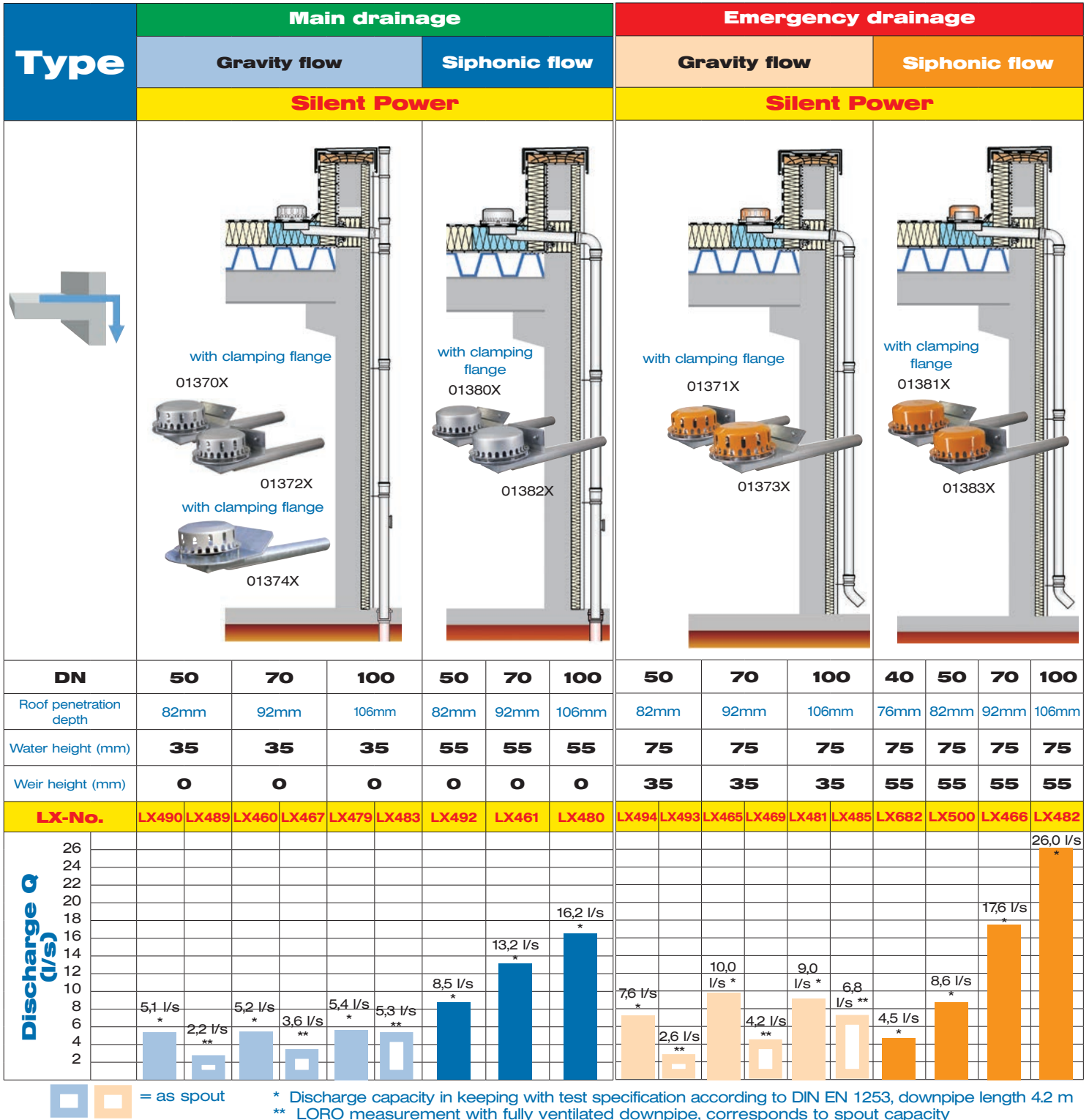
LORO-RAINSTAR® parapet roof drains are a further development of the former LORO-DRAINLET®/DRAINJET® parapet drains. Due to the fluidly optimized design of the new drains, the discharge rate has been improved considerably. Furthermore, the programme has been extended by adding the parapet emergency drain for gravity flow.

LORO-RAINSTAR® parapet drains are supplied as a complete drainage system together with LORO-down pipes and fittings.

#### Special advantages:

- high discharge rate
- LORO-RAINSTAR® parapet emergency drains are installed at the same level as the main drainage systems

### Series 79 RAINSTAR® with raised edge



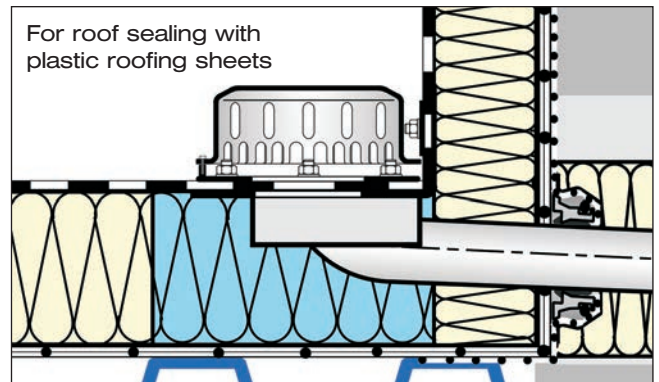
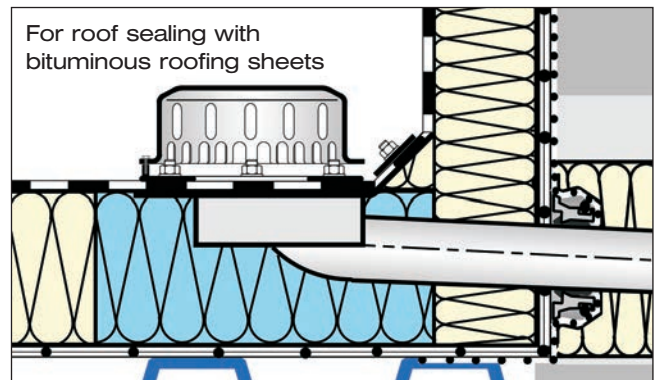
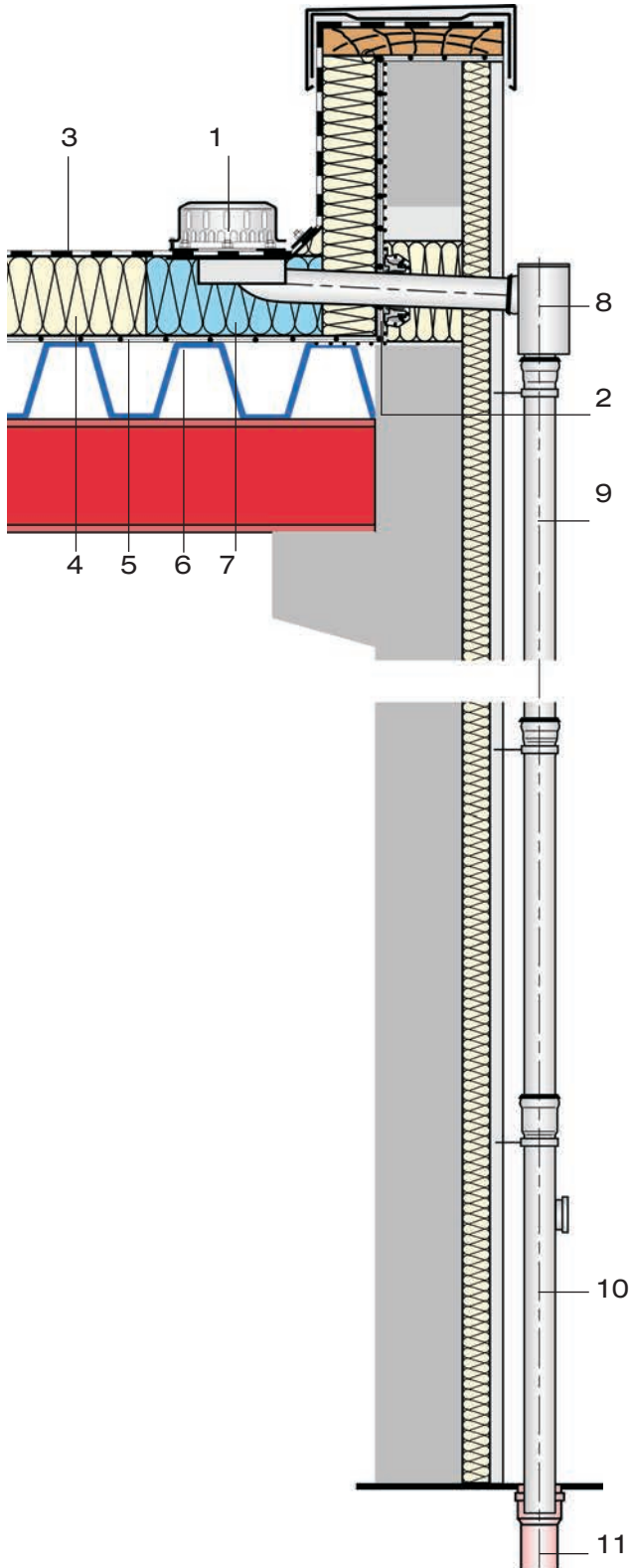
## Examples of Application

**For gravity flow:**

**LORO-RAINSTAR® parapet drains, DN 70 / DN 100, series 79 (RA), with clamping flange, according to DIN EN 1253**

**Discharge rate DN 70: 5.2 l/sec\*  
DN 100: 5.4 l/sec\***

**for bituminous and plastic roofing sheets**



- 1 LORO-RAINSTAR® parapet roof drain
- 2 LORO sliding flange (for installation of the vapor barrier)
- 3 Bituminous roofing sheet
- 4 Thermal insulation
- 5 Vapor barrier
- 6 Trapezoidal sheet industry roof or concrete roof
- 7 LORO thermal insulation block (installation aid for installation of the parapet drain in the thermal insulation)
- 8 LORO collector box
- 9 LORO-X downpipe
- 10 LORO-X standpipe
- 11 Ground pipe

\* In compliance with test specification according to DIN EN 1253

### Dimensions and Weights

#### LORO-RAINSTAR® parapet drains, DN 50 / DN 70 / DN 100, series 79 (RA), with clamping flange, for bituminous roofing sheets

consisting of:  
strainer basket, loose flange, drain body

#### Discharge rate according to specification sheet:

<b>LX 490</b>	<b>DN 50:</b>	<b>5.1 l/sec*</b>
<b>LX 489</b>	<b>as spout:</b>	<b>2.2 l/sec</b>
<b>LX 460</b>	<b>DN 70:</b>	<b>5.2 l/sec*</b>
<b>LX 467</b>	<b>as spout:</b>	<b>3.6 l/sec</b>
<b>LX 479</b>	<b>DN 100:</b>	<b>5.4 l/sec*</b>
<b>LX 483</b>	<b>as spout:</b>	<b>5.3 l/sec</b>

DN 50:	Art-No. 01370.050X	weight:	5.2 kg
DN 70:	Art-No. 01370.070X	weight:	5.7 kg
DN 100:	Art-No. 01370.100X	weight:	6.3 kg

#### LORO-RAINSTAR® parapet drains, DN 70 / DN 100, series 79 (RA), with bonding flange, for bituminous roofing sheets

made of galvanized steel, with additional coating, strainer basket made of stainless steel  
consisting of:  
strainer basket, drain body

#### Discharge rate according to specification sheet:

<b>LX 460</b>	<b>DN 70:</b>	<b>5.2 l/sec*</b>
<b>LX 479</b>	<b>DN 100:</b>	<b>5.4 l/sec*</b>

DN 70:	Art-No. 01374.070X	weight:	9.2 kg
DN 100:	Art-No. 01374.100X	weight:	9.8 kg

#### LORO-RAINSTAR® parapet drains, DN 50 / DN 70 / DN 100, series 79 (RA), with clamping flange, for plastic roofing sheets

consisting of:  
strainer basket, loose flange, compression seals, drain body

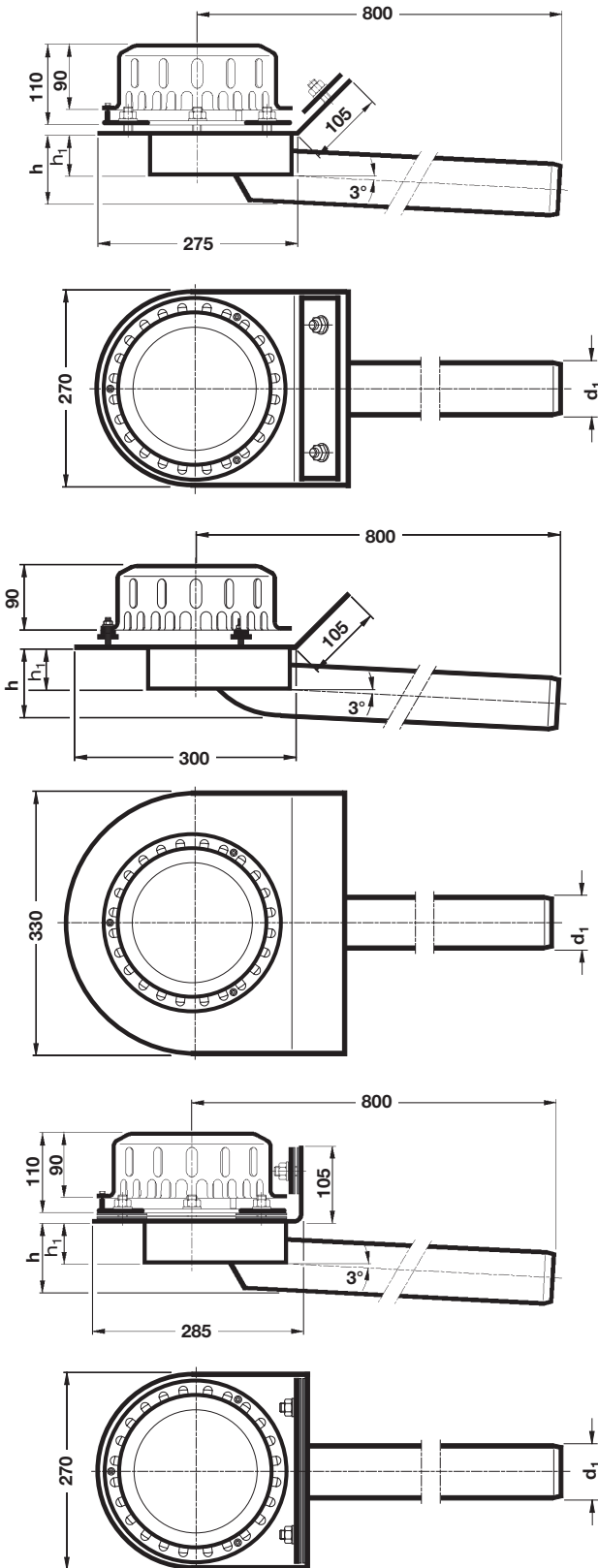
#### Discharge rate according to specification sheet:

<b>LX 490</b>	<b>DN 50:</b>	<b>5.1 l/sec*</b>
<b>LX 489</b>	<b>as spout:</b>	<b>2.2 l/sec</b>
<b>LX 460</b>	<b>DN 70:</b>	<b>5.2 l/sec*</b>
<b>LX 467</b>	<b>as spout:</b>	<b>3.6 l/sec</b>
<b>LX 479</b>	<b>DN 100:</b>	<b>5.4 l/sec*</b>
<b>LX 483</b>	<b>as spout:</b>	<b>5.3 l/sec</b>

DN 50:	Art-No. 01372.050X	weight:	5.4 kg
DN 70:	Art-No. 01372.070X	weight:	6.1 kg
DN 100:	Art-No. 01372.100X	weight:	6.4 kg

DN	d <sub>1</sub>	h	h <sub>1</sub>
50	53	82	55
70	73	92	55
100	102	106	60

\* In compliance with test specification according to DIN EN 1253



### Examples of Application

**LORO-RAINSTAR®**  
**parapet emergency drains,**  
**DN 50 / DN 70 / DN 100,**  
**serie 79 (RB), with clamping flange,**  
**according to DIN EN 1253**

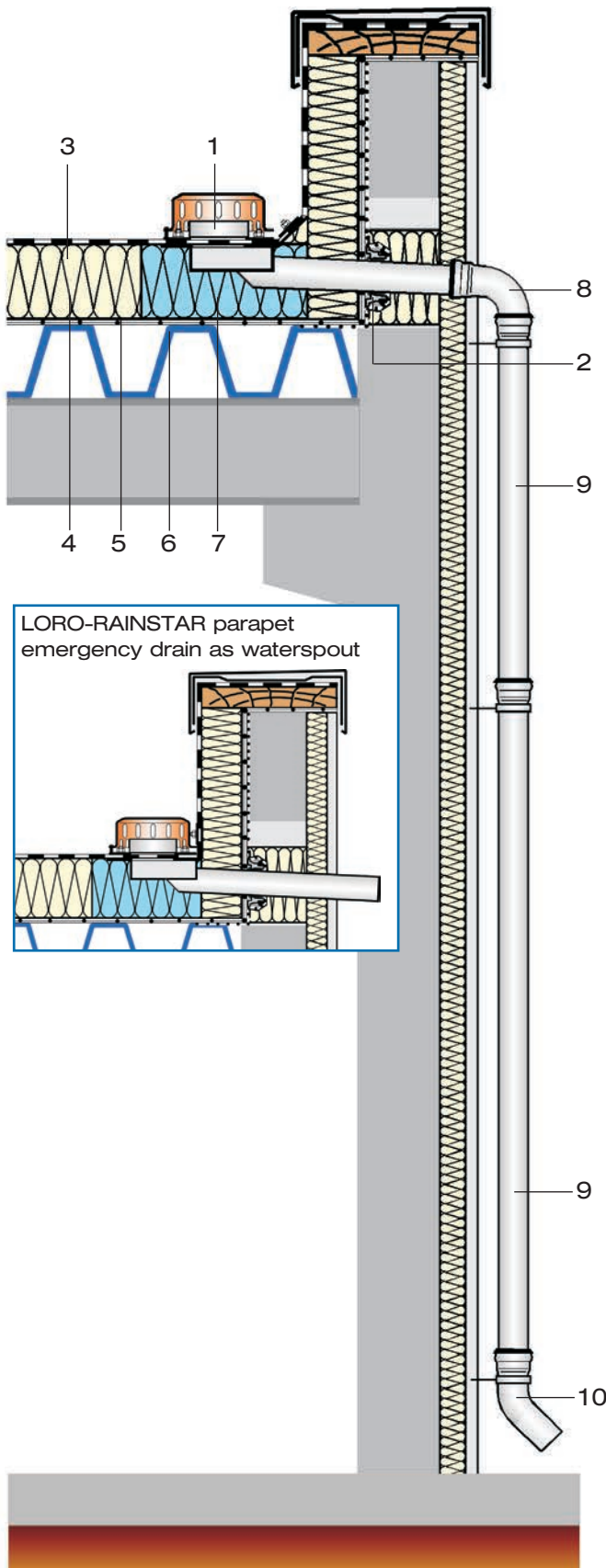
**Discharge rate according to specification sheet:**

<b>LX 494</b>	<b>DN 50:</b>	<b>7.6 l/sec*</b>
<b>LX 465</b>	<b>DN 70:</b>	<b>10.0 l/sec*</b>
<b>LX 481</b>	<b>DN 100:</b>	<b>9.0 l/sec*</b>

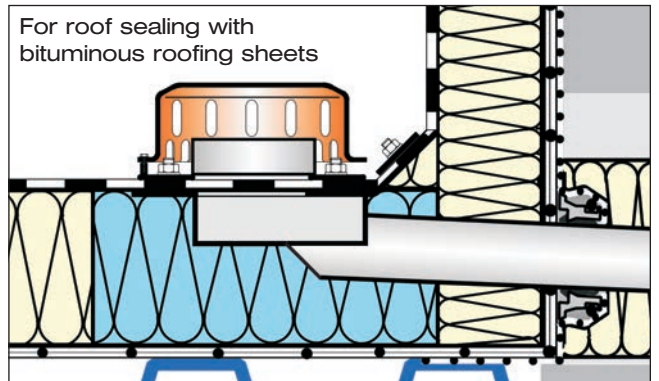
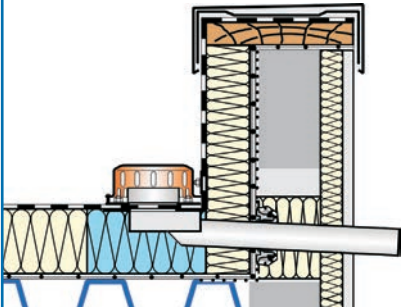
**as spout**

<b>LX 493</b>	<b>DN 50:</b>	<b>2.6 l/sec</b>
<b>LX 469</b>	<b>DN 70:</b>	<b>4.2 l/sec</b>
<b>LX 485</b>	<b>DN 100:</b>	<b>6.8 l/sec</b>

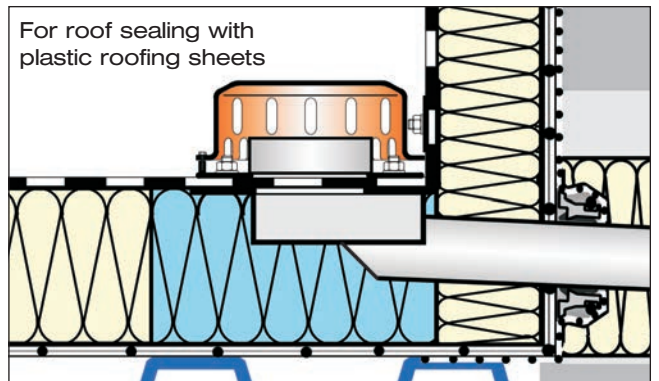
**for bituminous and plastic roofing sheets**



LORO-RAINSTAR parapet emergency drain as waterspout



For roof sealing with bituminous roofing sheets



For roof sealing with plastic roofing sheets

- 1 LORO-RAINSTAR® parapet roof drain as emergency drain
- 2 LORO sliding flange (for installation of the vapor barrier)
- 3 Bituminous roofing sheet
- 4 Thermal insulation
- 5 Vapor barrier
- 6 Trapezoidal sheet industry roof or concrete roof
- 7 LORO thermal insulation block (installation aid for installation of the parapet drain in the thermal insulation)
- 8 LORO-X bend, 87°
- 9 LORO-X downpipe
- 10 LORO-X bend, 45°

\* In compliance with test specification according to DIN EN 1253

### Dimensions and Weights

#### LORO-RAINSTAR® parapet emergency drains, DN 50 / DN 70 / DN 100, series 79 (RB), with clamping flange, for bituminous roofing sheets

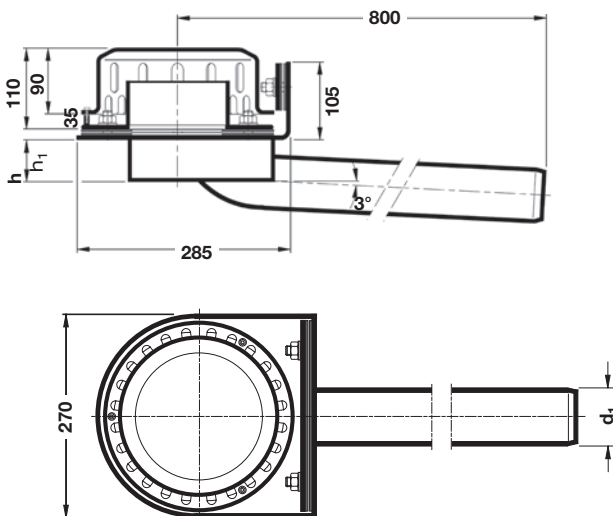
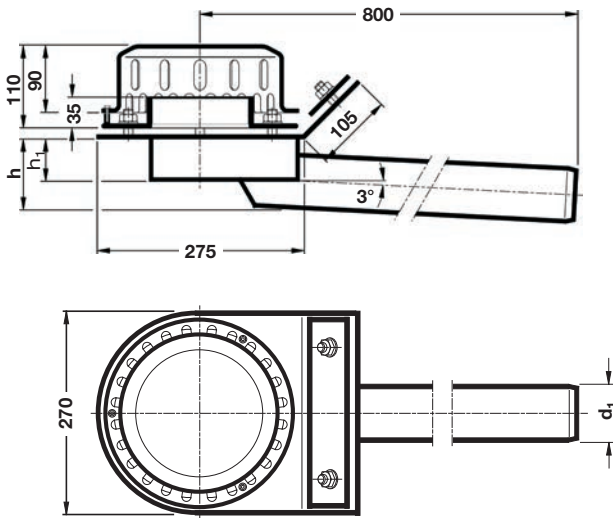
consisting of:  
strainer basket, loose flange with congestion element,  
drain body, loose flange for drain body

#### Discharge rate according to specification sheet:

<b>LX 494</b>	<b>DN 50:</b>	<b>7.6 l/sec*</b>
<b>LX 493</b>	<b>as spout:</b>	<b>2.6 l/sec</b>
<b>LX 465</b>	<b>DN 70:</b>	<b>10.0 l/sec*</b>
<b>LX 469</b>	<b>as spout:</b>	<b>4.2 l/sec</b>
<b>LX 481</b>	<b>DN 100:</b>	<b>9.0 l/sec*</b>
<b>LX 485</b>	<b>as spout:</b>	<b>6.8 l/sec</b>

DN 50: [Art-No. 01371.050X](#)  
DN 70: [Art-No. 01371.070X](#)  
DN 100: [Art-No. 01371.100X](#)

weight: 5.3 kg  
weight: 5.7 kg  
weight: 6.4 kg



#### LORO-RAINSTAR® parapet emergency drains, DN 50 / DN 70 / DN 100, series 79 (RB), with clamping flange, for plastic roofing sheets

consisting of:  
strainer basket, loose flange with congestion element,  
compression seal, drain body, loose flange for drain body

#### Discharge rate according to specification sheet:

<b>LX 494</b>	<b>DN 50:</b>	<b>7.6 l/sec*</b>
<b>LX 493</b>	<b>as spout:</b>	<b>2.6 l/sec</b>
<b>LX 465</b>	<b>DN 70:</b>	<b>10.0 l/sec*</b>
<b>LX 469</b>	<b>as spout:</b>	<b>4.2 l/sec</b>
<b>LX 481</b>	<b>DN 100:</b>	<b>9.0 l/sec*</b>
<b>LX 485</b>	<b>as spout:</b>	<b>6.8 l/sec</b>

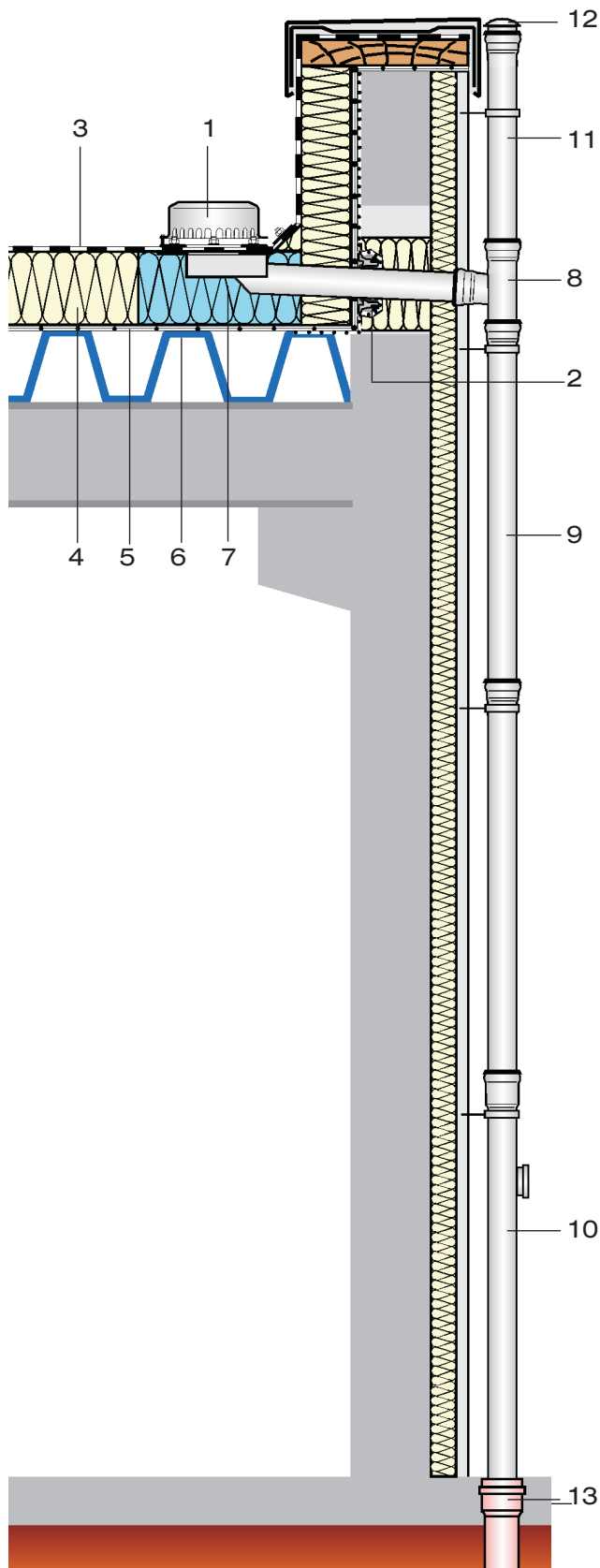
DN 50: [Art-No. 01373.050X](#)  
DN 70: [Art-No. 01373.070X](#)  
DN 100: [Art-No. 01373.100X](#)

weight: 5.7 kg  
weight: 6.4 kg  
weight: 6.5 kg

DN	d <sub>1</sub>	h	h <sub>1</sub>
50	53	82	55
70	73	92	55
100	102	106	60

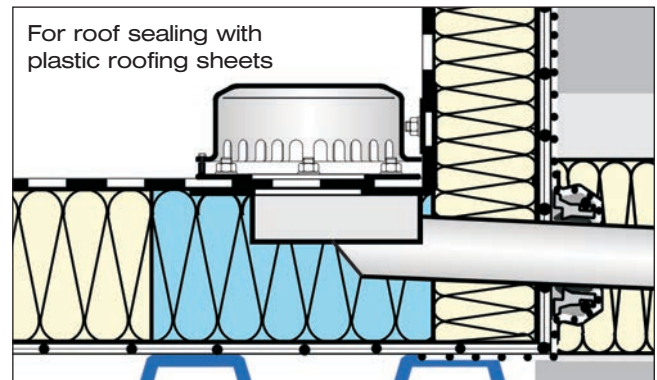
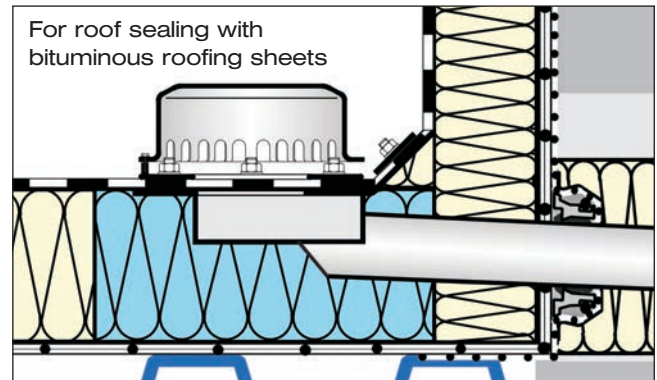
\* In compliance with test specification  
according to DIN EN 1253

## Examples of Application



**LORO-RAINSTAR® parapet drains, for siphonic flow, DN 50 / DN 70 / DN 100, series 79 (RC), with clamping flange, according to DIN EN 1253**

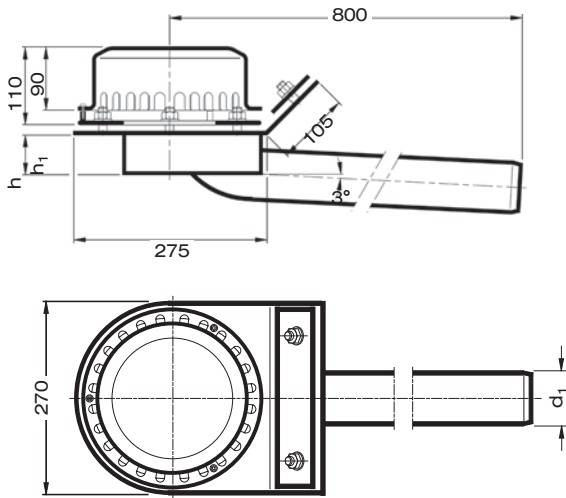
**for bituminous and plastic roofing sheets**



- 1 LORO-RAINSTAR® parapet roof drain
- 2 LORO sliding flange (for installation of the vapor barrier)
- 3 Bituminous roofing sheet
- 4 Thermal insulation
- 5 Vapor barrier
- 6 Trapezoidal sheet industry roof or concrete roof
- 7 LORO thermal insulation block (installation aid for installation of the parapet drain in the thermal insulation)
- 8 LORO-X branch
- 9 LORO-X downpipe
- 10 LORO-X standpipe
- 11 LORO-X pipe
- 12 LORO-X closing plug
- 13 Ground pipe

\* In compliance with test specification according to DIN EN 1253

**Dimensions and Weights**



**LORO-RAINSTAR® parapet drains for siphonic flow, DN 50 / DN 70 / DN 100, series 79 (RC), with clamping flange, for bituminous roofing sheets**

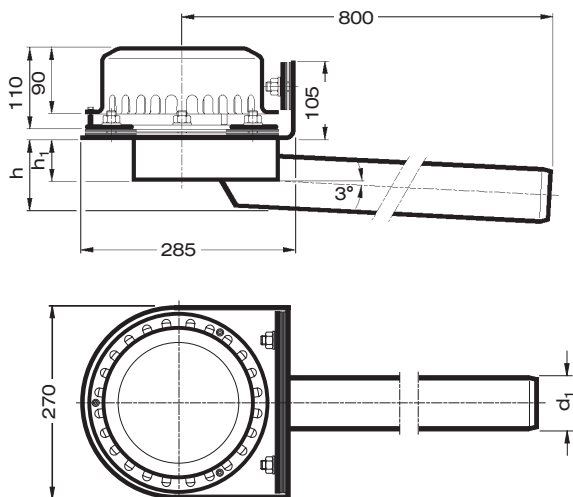
consisting of:  
Drainjet hood, loose flange, drain body

**Discharge rate according to specification sheet:**

<b>LX 492</b>	<b>DN 50:</b>	<b>8.5 l/sec*</b>
<b>LX 461</b>	<b>DN 70:</b>	<b>13.2 l/sec*</b>
<b>LX 480</b>	<b>DN 100:</b>	<b>16.2 l/sec*</b>

DN 50:	<a href="#">Art.-No. 01380.050X</a>	Weight:	5.3 kg
DN 70:	<a href="#">Art.-No. 01380.070X</a>	Weight:	6.0 kg
DN 100:	<a href="#">Art.-No. 01380.100X</a>	Weight:	6.4 kg

DN	d <sub>1</sub>	h	h <sub>1</sub>
50	53	82	55
70	73	92	55
100	102	106	60



**LORO-RAINSTAR® parapet drains for siphonic flow, DN 50 / DN 70 / DN 100, series 79 (RC), with clamping flange, for plastic roofing sheets**

consisting of:  
Drainjet hood, loose flange, compression seal, drain body

**Discharge rate according to specification sheet:**

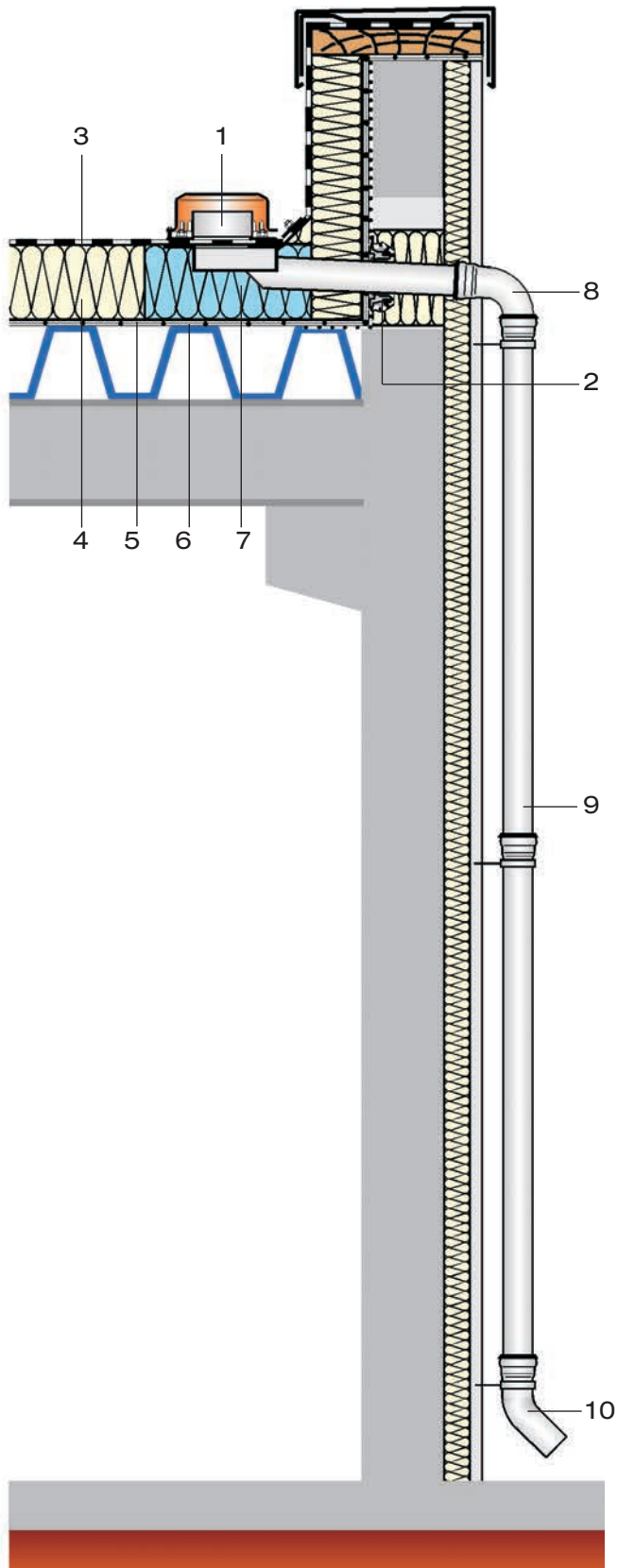
<b>LX 492</b>	<b>DN 50:</b>	<b>8.5 l/sec*</b>
<b>LX 461</b>	<b>DN 70:</b>	<b>13.2 l/sec*</b>
<b>LX 480</b>	<b>DN 100:</b>	<b>16.2 l/sec*</b>

DN 50:	<a href="#">Art.-No. 01382.050X</a>	weight:	5.3 kg
DN 70:	<a href="#">Art.-No. 01382.070X</a>	weight:	6.0 kg
DN 100:	<a href="#">Art.-No. 01382.100X</a>	weight:	6.7 kg

\* In compliance with test specification according to DIN EN 1253

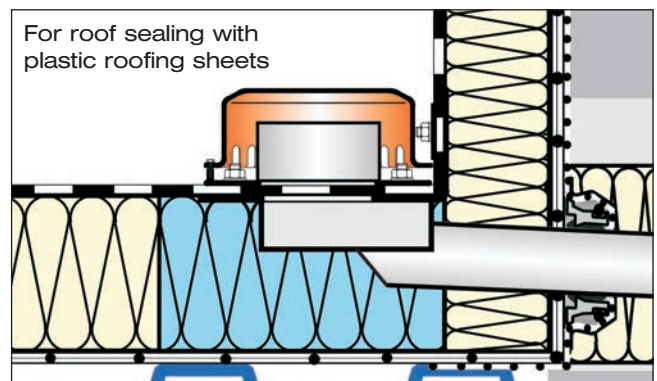
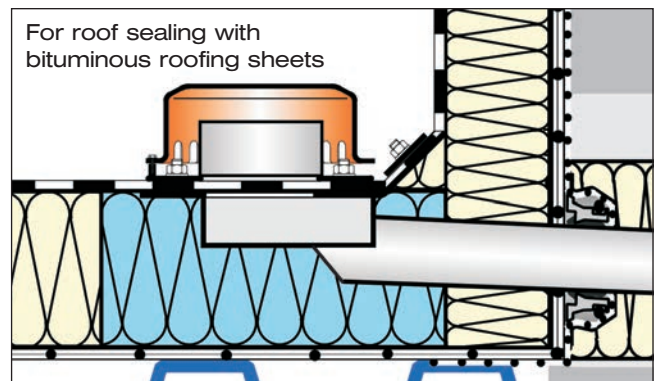


## Examples of Application



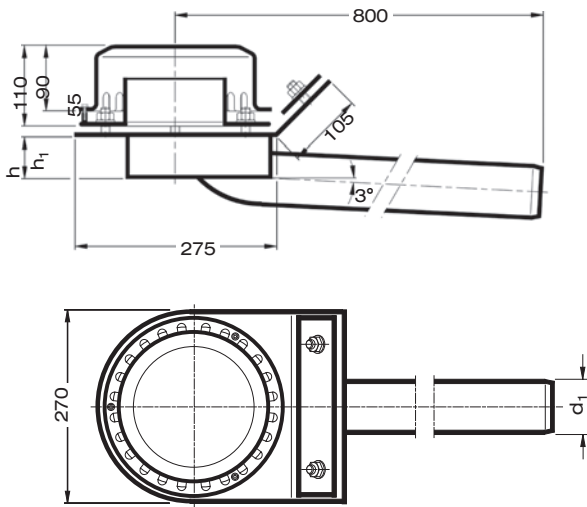
**LORO-RAINSTAR®**  
**parapet emergency drains,**  
**for siphonic flow**  
**DN 50 / DN 70 / DN 100,**  
**series 79 (RD), with clamping flange,**  
**according to DIN EN 1253**

**for bituminous and plastic roofing sheets**



- 1 LORO-RAINSTAR® parapet roof drain  
as emergency drain
- 2 LORO sliding flange  
(for installation of the vapor barrier)
- 3 Bituminous roofing sheets
- 4 Thermal insulation
- 5 Vapor barrier
- 6 Trapezoidal sheet industry roof or concrete roof
- 7 LORO thermal insulation block  
(installation aid for installation of the parapet drain in the thermal insulation)
- 8 LORO-X bend, 87°
- 9 LORO-X downpipe
- 10 LORO-X bend, 45°

## Dimensions and Weights



### LORO-RAINSTAR®

#### parapet emergency drains

for siphonic flow,

DN 50 / DN 70 / DN 100,

series 79 (RD), with clamping flange,  
for bituminous roofing sheets

consisting of:

Drainjet hood, loose flange with congestion element,  
drain body, loose flange for drain body

#### Discharge rate according to specification sheet:

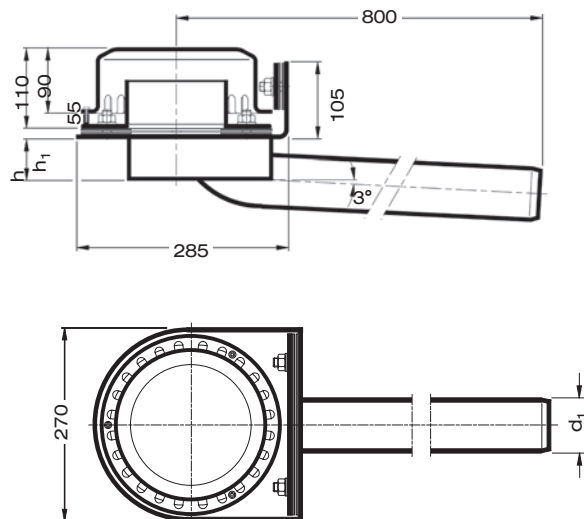
<b>LX 500</b>	<b>DN 50:</b>	<b>8.6 l/sec*</b>
<b>LX 466</b>	<b>DN 70:</b>	<b>17.6 l/sec*</b>
<b>LX 482</b>	<b>DN 100:</b>	<b>26.0 l/sec*</b>

DN 50: [Art-No. 01381.050X](#) weight: 5.4 kg

DN 70: [Art-No. 01381.070X](#) weight: 6.1 kg

DN 100: [Art-No. 01381.100X](#) weight: 6.8 kg

DN	d <sub>1</sub>	h	h <sub>1</sub>
50	53	82	55
70	73	92	55
100	102	106	60



### LORO-RAINSTAR®

#### parapet emergency drains

for siphonic flow,

DN 50 / DN 70 / DN 100,

series 79 (RD), with clamping flange,  
for plastic roofing sheets

consisting of:

Drainjet hood, loose flange with congestion element,  
compression seal, drain body, loose flange for drain body

#### Discharge rate according to specification sheet:

<b>LX 500</b>	<b>DN 50:</b>	<b>8.6 l/sec*</b>
<b>LX 466</b>	<b>DN 70:</b>	<b>17.6 l/sec*</b>
<b>LX 482</b>	<b>DN 100:</b>	<b>26.0 l/sec*</b>

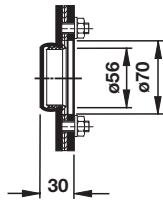
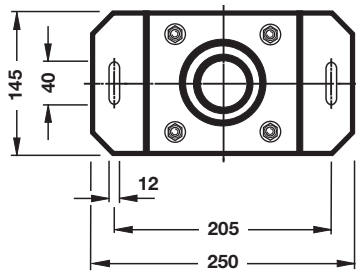
DN 50: [Art-No. 01383.050X](#) weight: 5.4 kg

DN 70: [Art-No. 01383.070X](#) weight: 6.1 kg

DN 100: [Art-No. 01383.100X](#) weight: 6.8 kg

\* In compliance with test specification  
according to DIN EN 1253

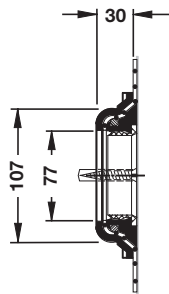
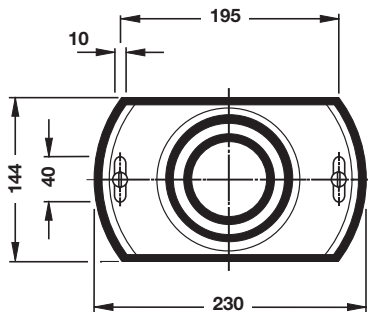
### Dimensions and Weights



**LORO sliding flange, DN 50  
with clamping flange,  
for installation of the vapor barrier**

made of stainless steel

Art.-No. 13232.050X weight: 1.4 kg



**LORO sliding flange, DN 70  
with connecting sleeve,  
for installation of the vapor barrier**

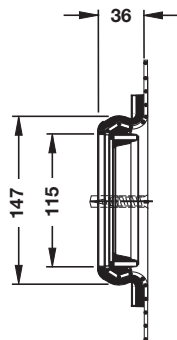
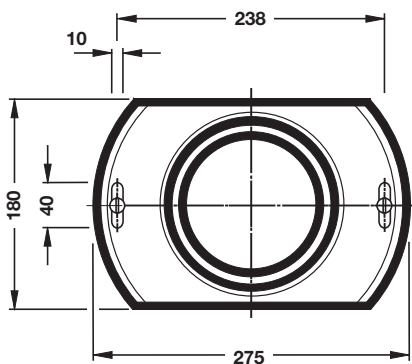
made of galvanized steel

for vapor barrier made of bituminous roofing sheets

Art.-No. 13235.070X weight: 1.4 kg

for vapor barrier made of plastic roofing sheets

Art.-No. 13236.070X weight: 1.0 kg



**LORO sliding flange, DN 100  
with connecting sleeve,  
for installation of the vapor barrier**

made of galvanized steel

for vapor barrier made of bituminous roofing sheets

Art.-No. 13235.100X weight: 1.7 kg

for vapor barrier made of plastic roofing sheets

Art.-No. 13236.100X weight: 1.5 kg

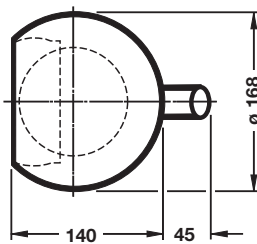
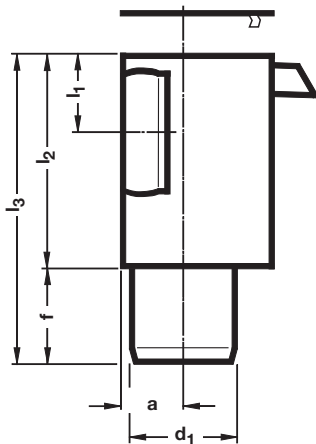
### Dimensions and Weights

#### LORO collector box

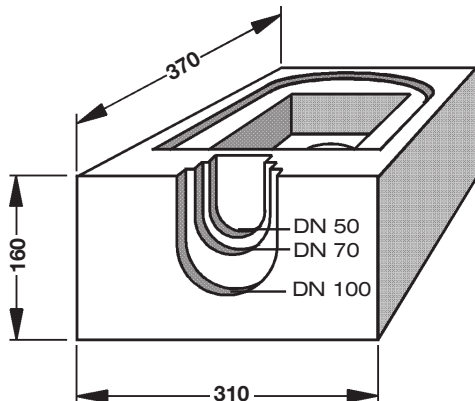
for LORO-RAINSTAR® parapet drains and LORO-X parapet direct drains

made of galvanized steel  
with additional inner coating

DN 70: [Art-No. 04379.070X](#) weight: 2.8 kg  
DN 100: [Art-No. 04379.100X](#) weight: 3.0 kg

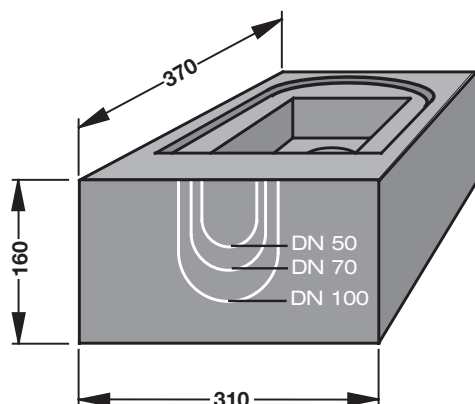


DN	a	f	d <sub>1</sub>	l <sub>1</sub>	l <sub>2</sub>	l <sub>3</sub>
70	50	70	73	55	205	275
100	60	85	102	70	205	290



#### LORO thermal insulation block made of styrofoam SE WLG 0.35

material class B2  
universally applicable for  
LORO-RAINSTAR parapet drains DN 50 - DN 100 and  
LORO parapet balcony drain DN 50  
[Art-No. 01384.000X](#) weight: 0.6 kg



#### LORO thermal insulation block made of foamglas, incombustible

material class A1  
universally applicable for  
LORO-RAINSTAR parapet drains DN 50 - DN 100 and  
LORO parapet balcony drain DN 50  
[Art-No. 13845.000X](#) weight: 2.2 kg

Create the recess for the respective nominal diameter on site.