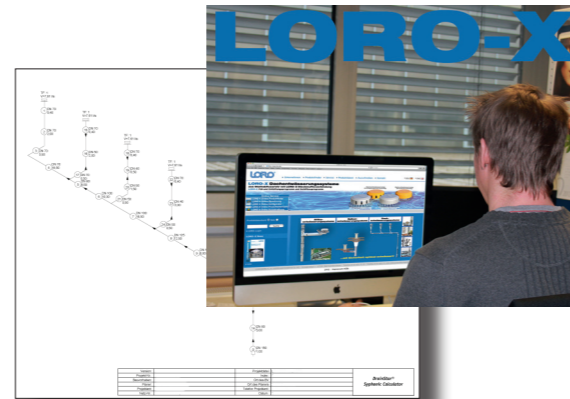


**Calculation and dimensioning**

When designing and installing roof drainage systems, the experience of roof drainage technicians is often sought.

Together with our roof drainage technology specialists, you can work out detailed solutions for your actual projects.

Whenever you need to design a parapet-, roof- or balcony drainage system, we shall happily provide you with personal support for your project.



LORO-X Service team

**Fast delivery**

Thanks to our high bay warehouse for small articles and our large storage areas for long pipes, practically all standard items are available in the short-term.

We are happy to agree the optimum delivery date with our customers to the customer's warehouse or direct to the construction site.

When in a hurry: In many cases thanks to our LORO-X express service we can guarantee next day delivery anywhere in Europe!

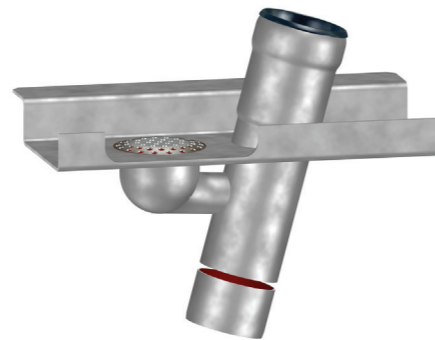


High bay warehouse

**Special solutions**

Steel, stainless steel and aluminium are ideal materials for custom solutions! The roof drainage technicians of LORO work closely with our customers to find the exact solution for practically any job.

Steel is highly flexible and can be sawn, bent and welded. Our metalworkers can produce many custom solutions in a very short time without needing to rely on castings.



Special solutions

**Installation instructions on PDF and Video**

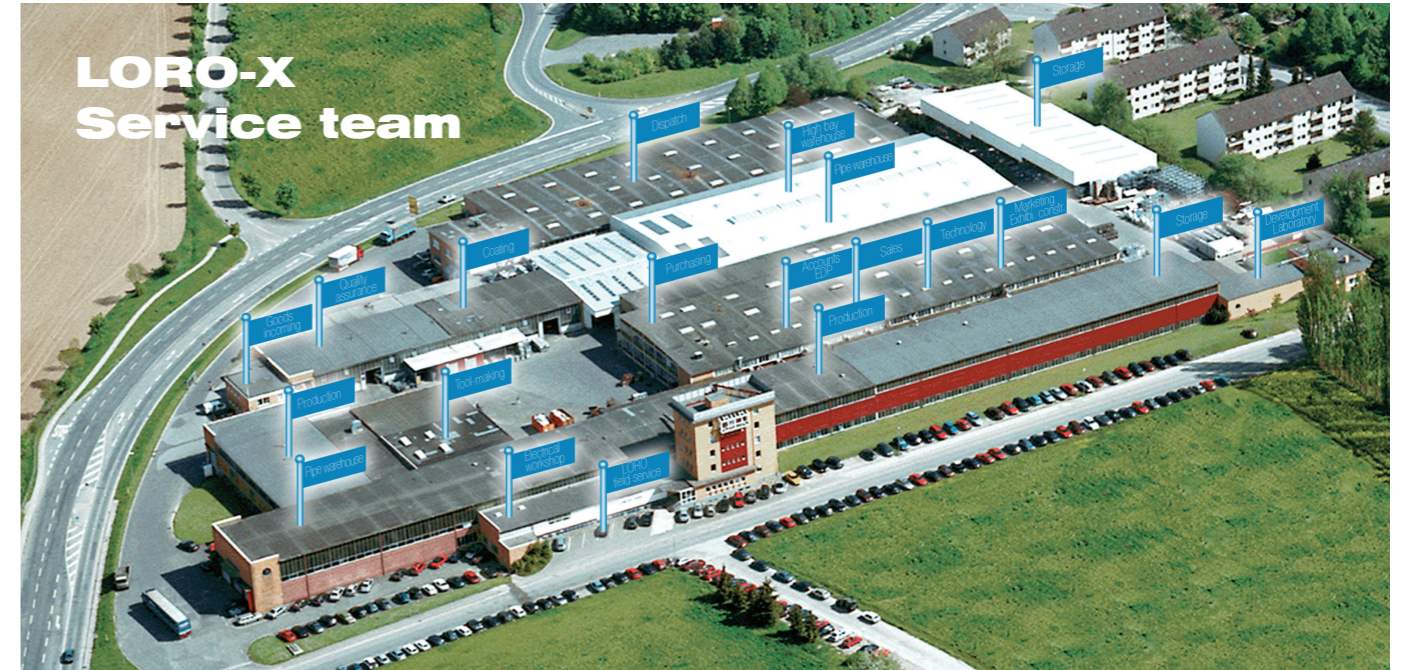
Confident installation increases safety on the building and guarantees long-term reliable operation of the drainage system.

LORO offers installation instructions in PDF, print or on video.

PDF: [www.loro-x.com](http://www.loro-x.com) -> Product data -> Installations  
 Video: [www.loro-x.com](http://www.loro-x.com) -> Service -> Online-Videos



Installation instructions



**LORO-X Service team**

**LORO-X test fields**

New products can be measured quickly with different system forms in order to determine and measure the optimum LORO-X ready-made roof drainage system form. The system performance is then documented in the LX datasheet.

10 different test fields are available in the LOROWERK for measurement of the LORO-X head-discharge curves.

These include for example the 100 l/s drain tower used to measure parapet and roof drainage systems of over 100 l/s.

A high-rise building with several floors and balconies is available for measurement of balcony drainage systems.



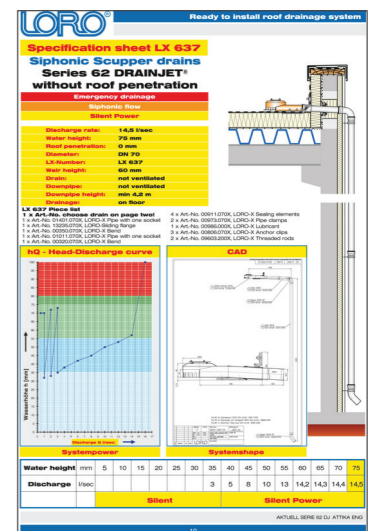
LORO-X test field with up to 100 l/s drainage capacity

**LORO-X performance verification**

Each measured head-discharge curve is the characteristic of a LORO-X ready-made roof drainage system in which at any water height on the roof the corresponding outflow from the roof can be read off.

Together with the CAD drawing and the part list, the LORO-X head-discharge curve forms the standard-compliant performance verification for the ready-made roof drainage system.

At the same time the LX datasheet forms the basis for the design of the roof drainage.



LORO-X datasheet as measured system performance verification