

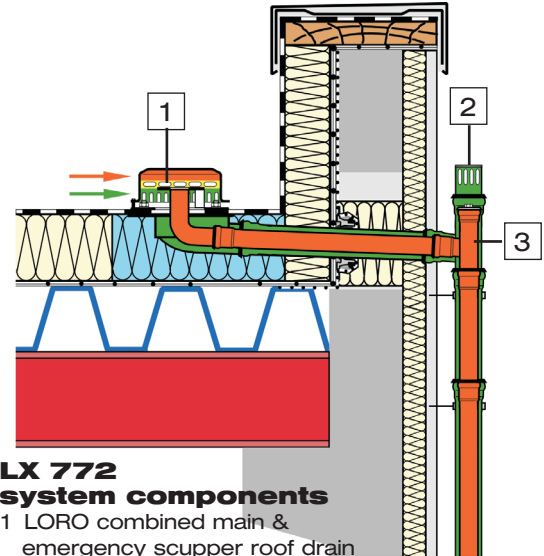
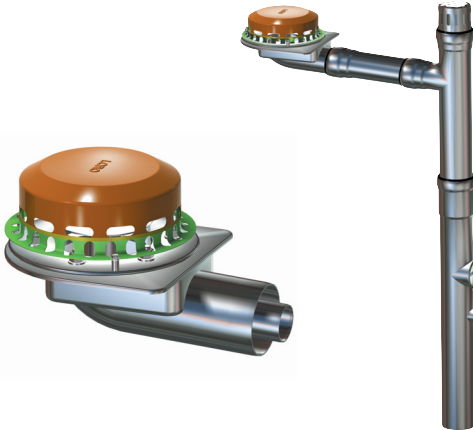
Data sheet LX 772

LORO-X combined Main-Emergency siphonic scupper drainage system

main: 4.5 l/sec

emergency : 8,2 l/s combined: 12.7 l/sec

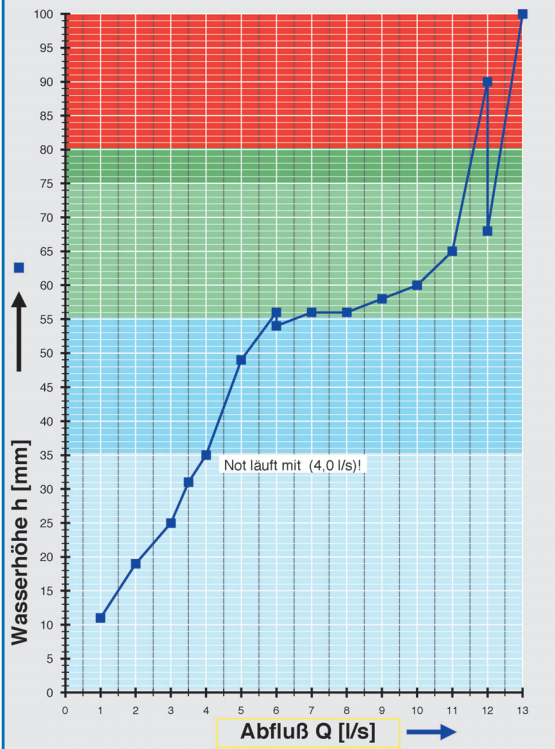
The LORO-X scupper combined main & emergency “pipe-in-pipe” siphonic drainage system consists of a combined main & emergency scupper drain, pipes and fittings for 4.2 m high downpipes, a stand pipe, sealing elements and clamps.



LX 772 system components

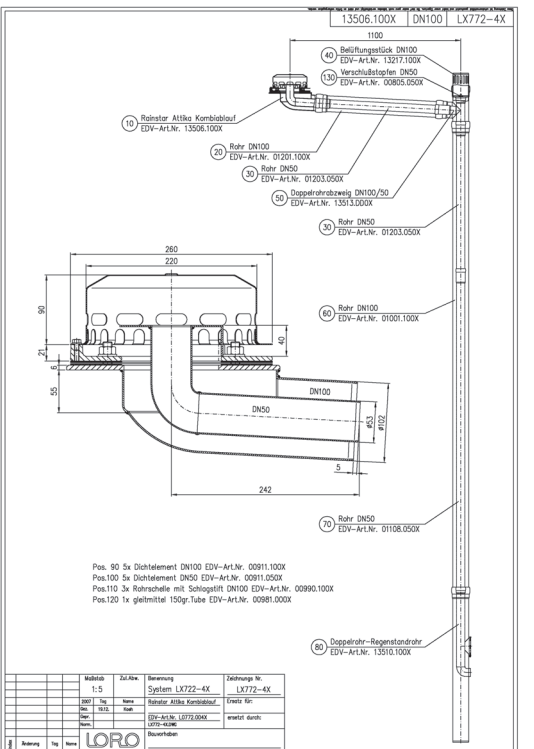
- 1 LORO combined main & emergency scupper roof drain
- 2 LORO-vent piece
- 3 LORO-“pipe in pipe” branch
- 4 LORO-X pipe with long sleeve DN 50, DN 100
- 5 LORO-“pipe in pipe” stand pipe

hQ - drainage curve



system capacity

CAD



system layout

| height of water level | mm | 5 | 10 | 15 | 20 | 25 | 30 | 35 | 40 | 45 | 50 | 55 | 60 | 65 | 70 | 75 |
|-----------------------|-------|-----|-----|-----|-----|----|----|-----|-----|-----|---------------------|----|------|------|------|------|
| drainage | l/sec | 0.5 | 1.2 | 1.5 | 2.1 | 3 | 4 | 4.5 | 4.7 | 4.9 | 5.1 | 8 | 12.0 | 12.3 | 12.6 | 12.7 |
| silent | | | | | | | | | | | silent power | | | | | |