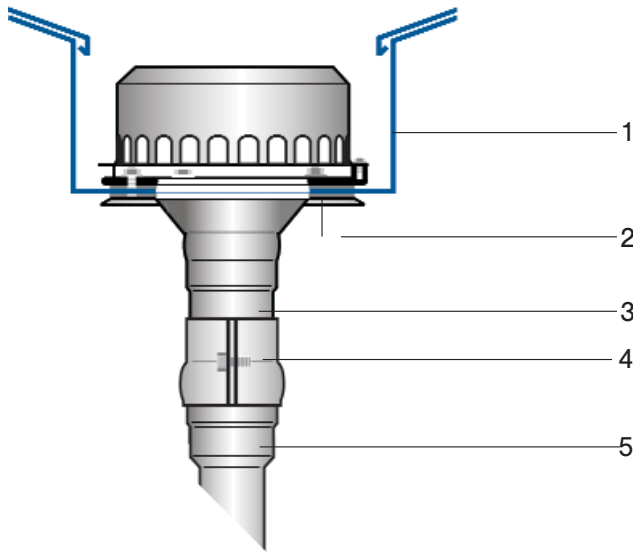
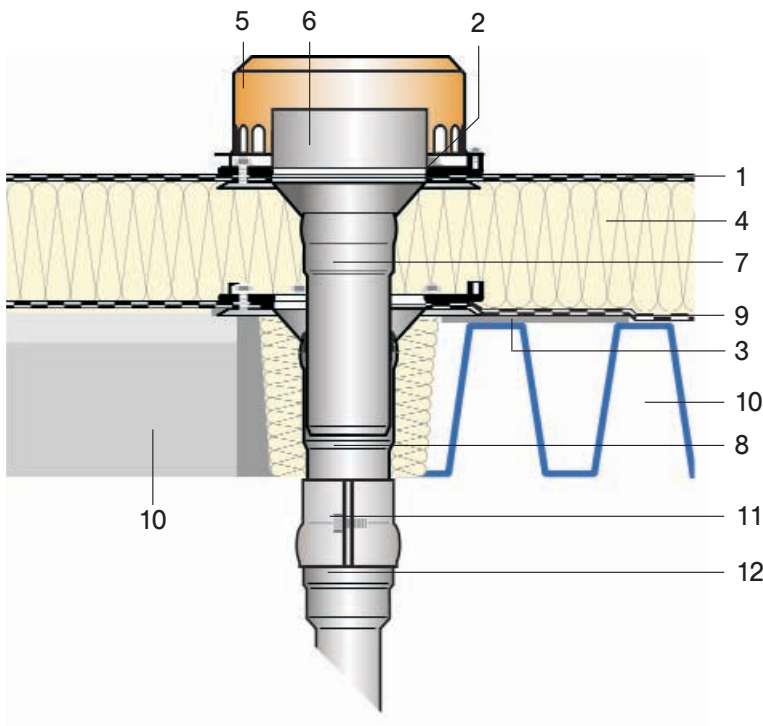


#### Examples of Application



#### LORO-DRAINJET® siphonic gully, DN 70, installed in a non-insulated channel

- 1 Rectangular section channel
- 2 Compression sealing\*
- 3 Singel-part LORO-DRAINJET® siphonic drainage gully with drainjet cover
- 4 LORO-X anchor clip
- 5 LORO-DRAINJET® adjusting piece



#### LORO-DRAINJET® siphonic emergency gully, DN 70, in a concrete roof or in a roof with trapezoidal sheeting, insulated

- 1 Sealing sheeting
- 2 Compression sealing\*
- 3 Reinforcement sheeting
- 4 Thermal insulation
- 5 LORO-DRAINJET®-emergency cover
- 6 LORO-DRAINJET®-loose flange with weir
- 7 LORO-DRAINJET®-gully
- 8 LORO-DRAINJET®-basic unit with thermal insulation
- 9 Vapor seal
- 10 Concrete slab or trapezoidal roof sheeting
- 11 LORO-X anchor clip
- 12 LORO-DRAINJET® adjusting piece

\* unnecessary in the case of waterproof bituminous roofing sheets